

FIG.1

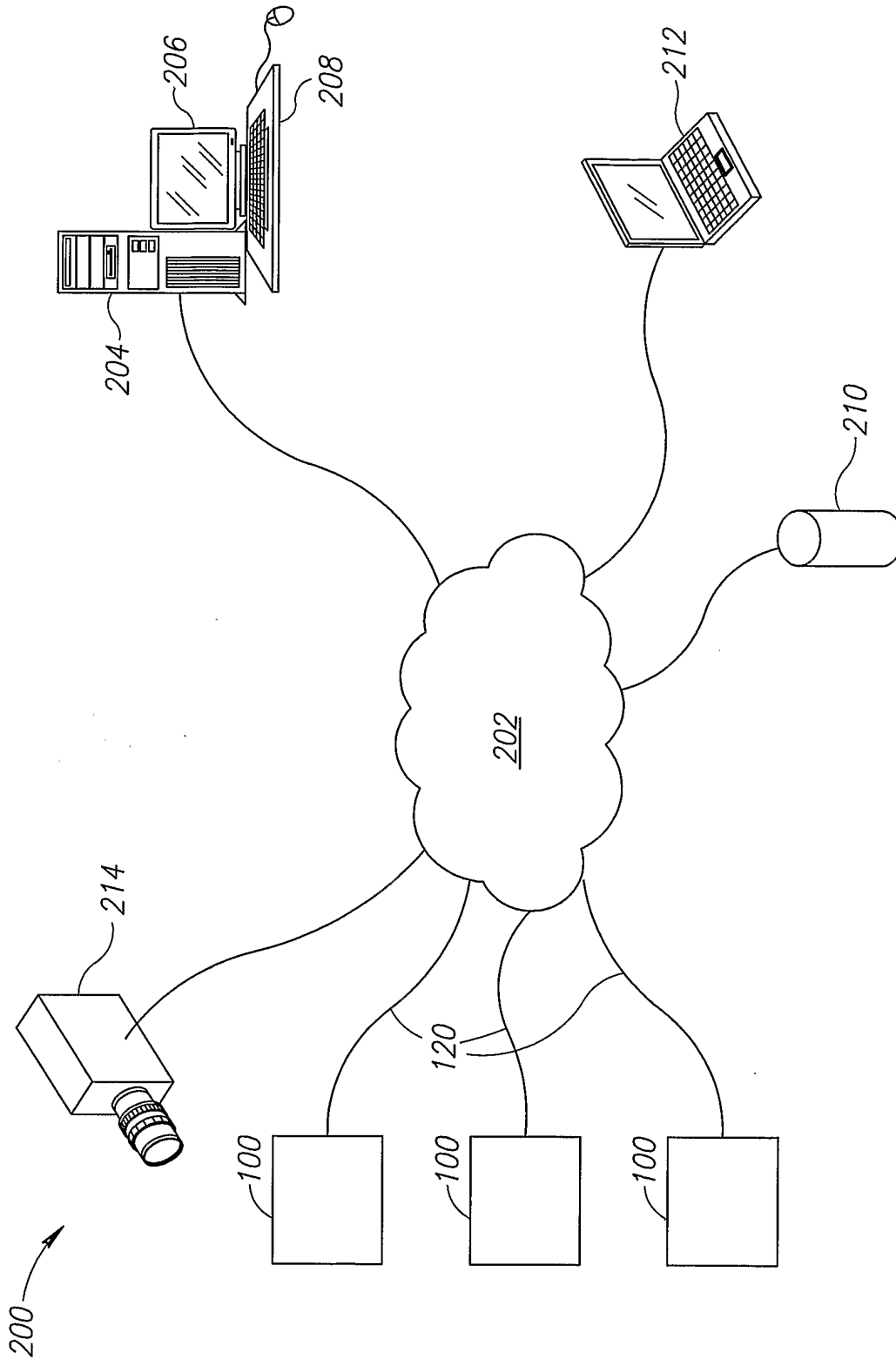


FIG.2

3/40

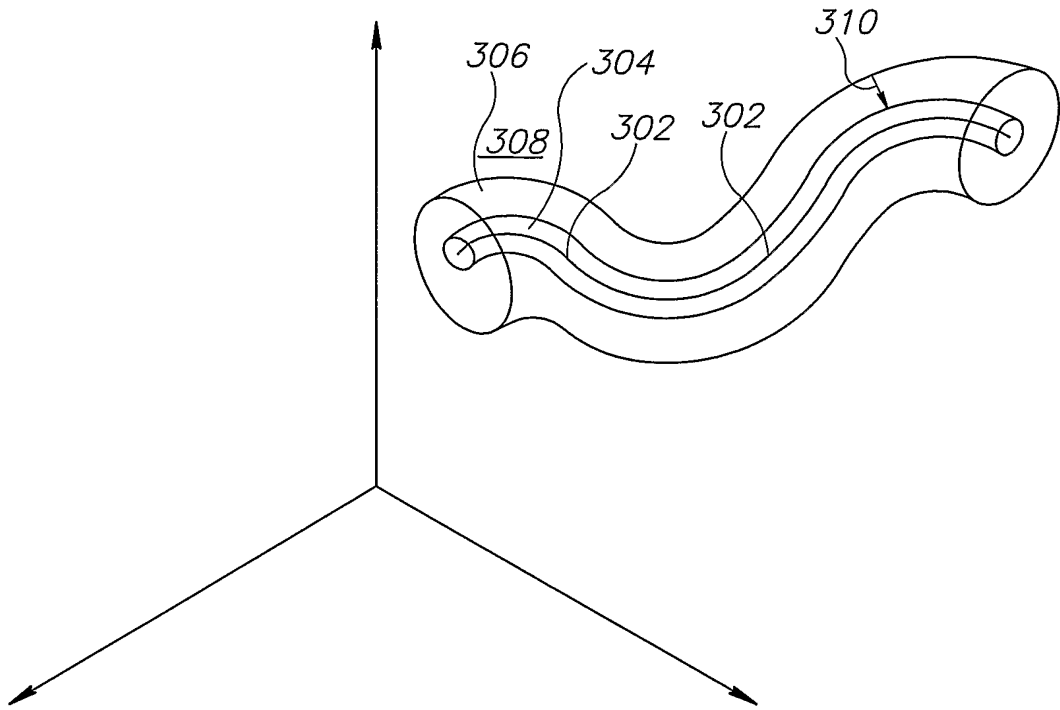


FIG.3A

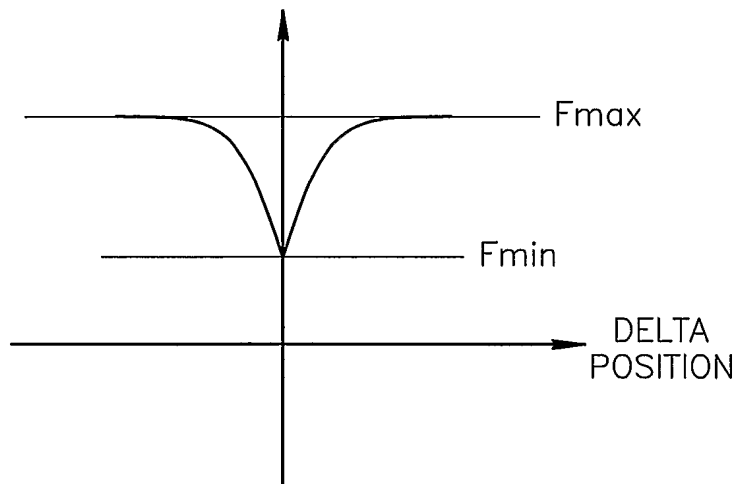


FIG.3B

4/40

400

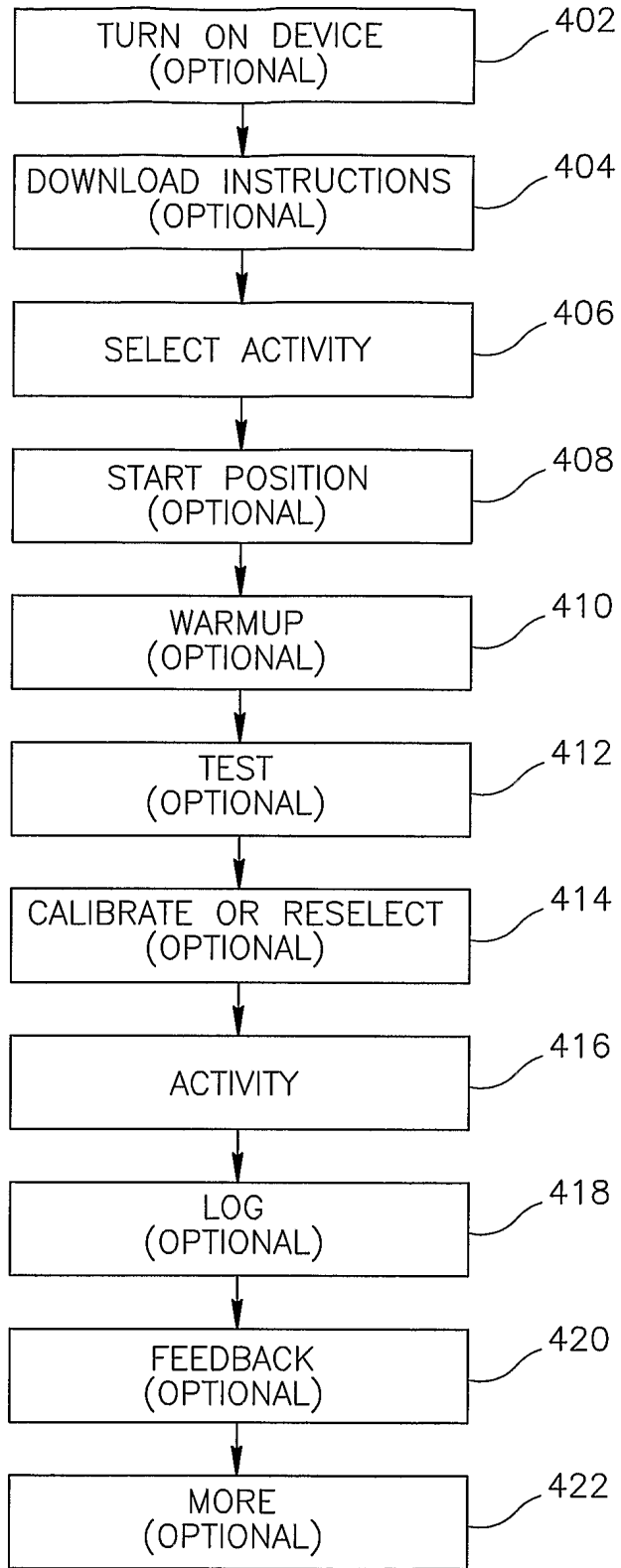


FIG.4A

5/40

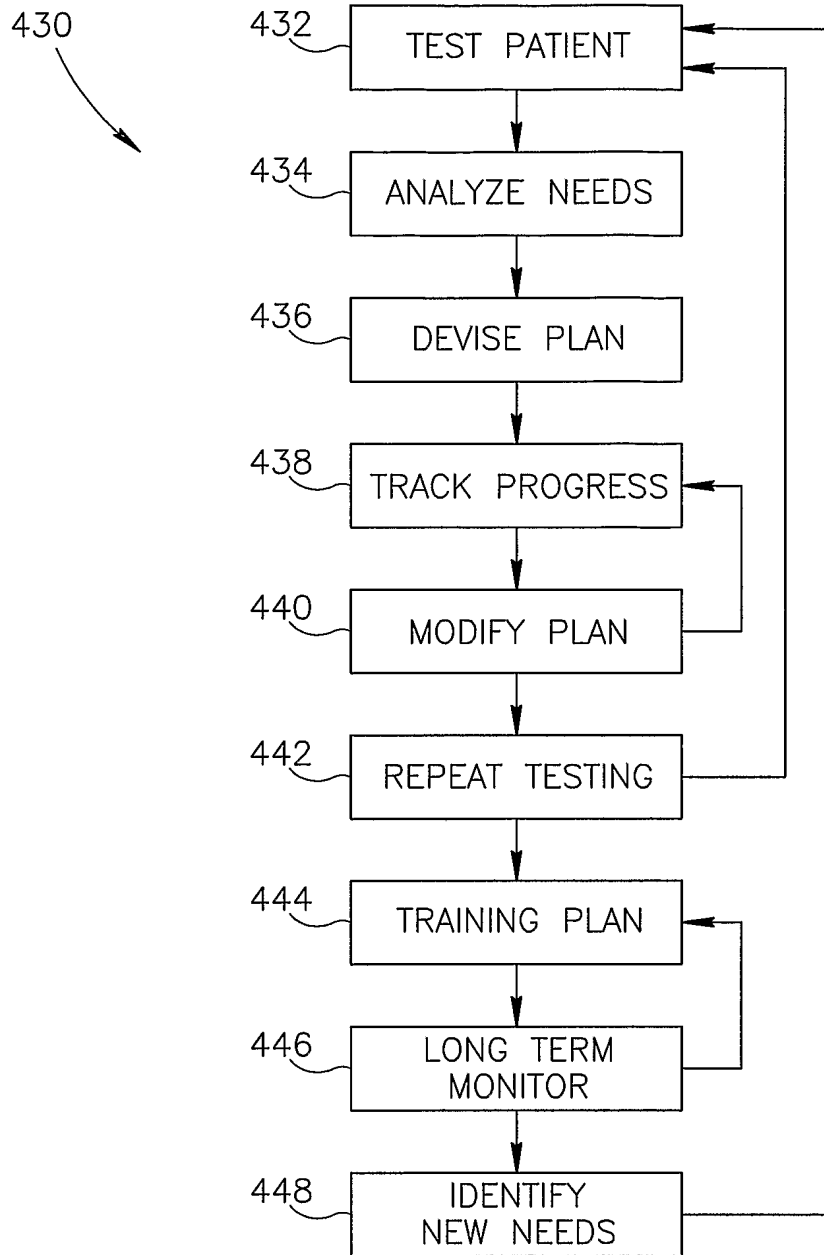


FIG.4B

6/40

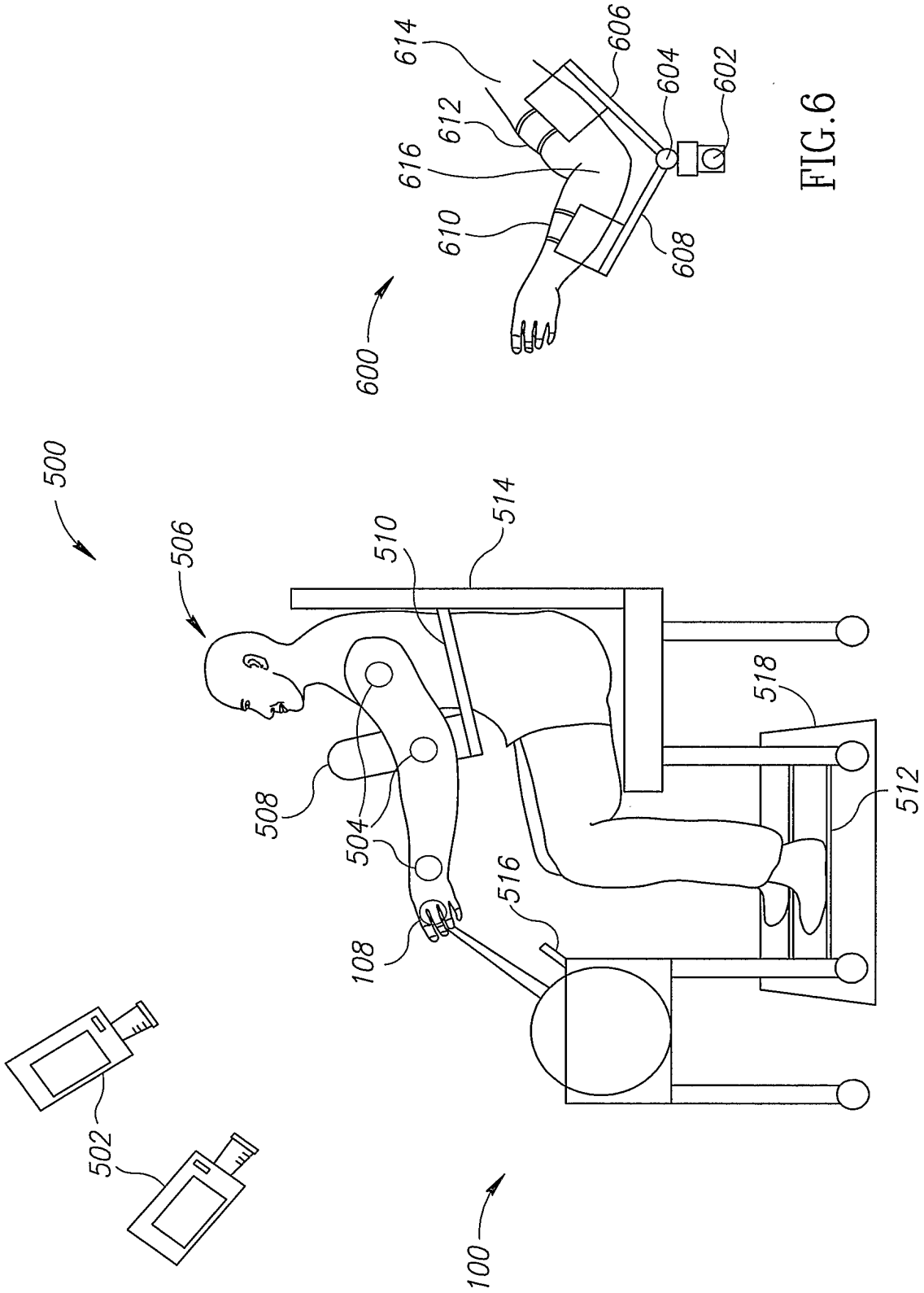


FIG. 6

FIG. 5

7/40

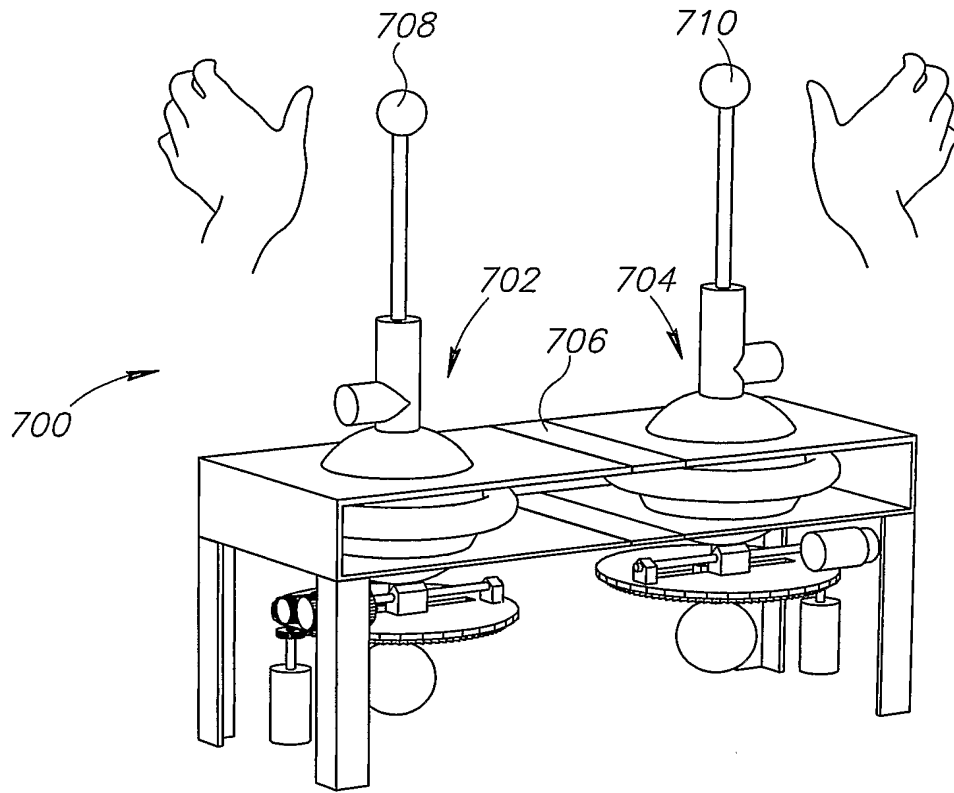


FIG. 7

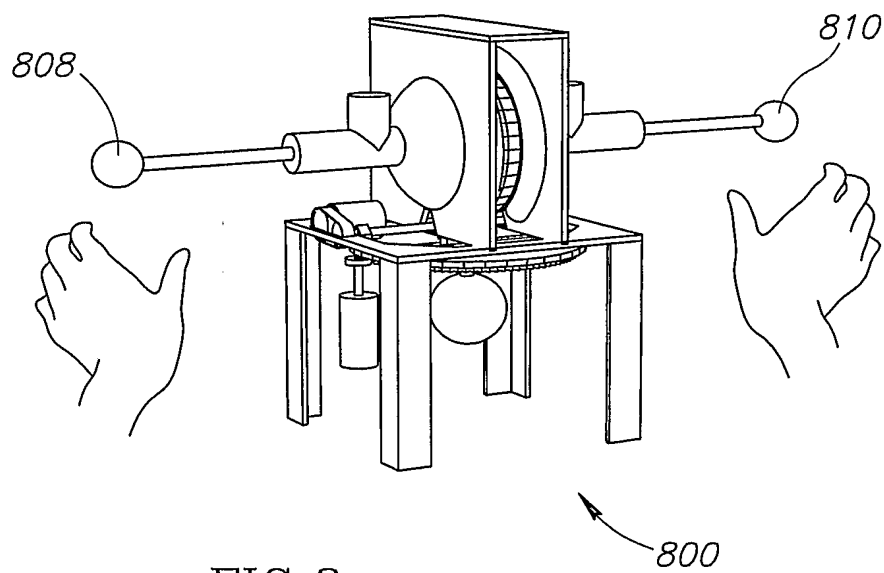


FIG. 8

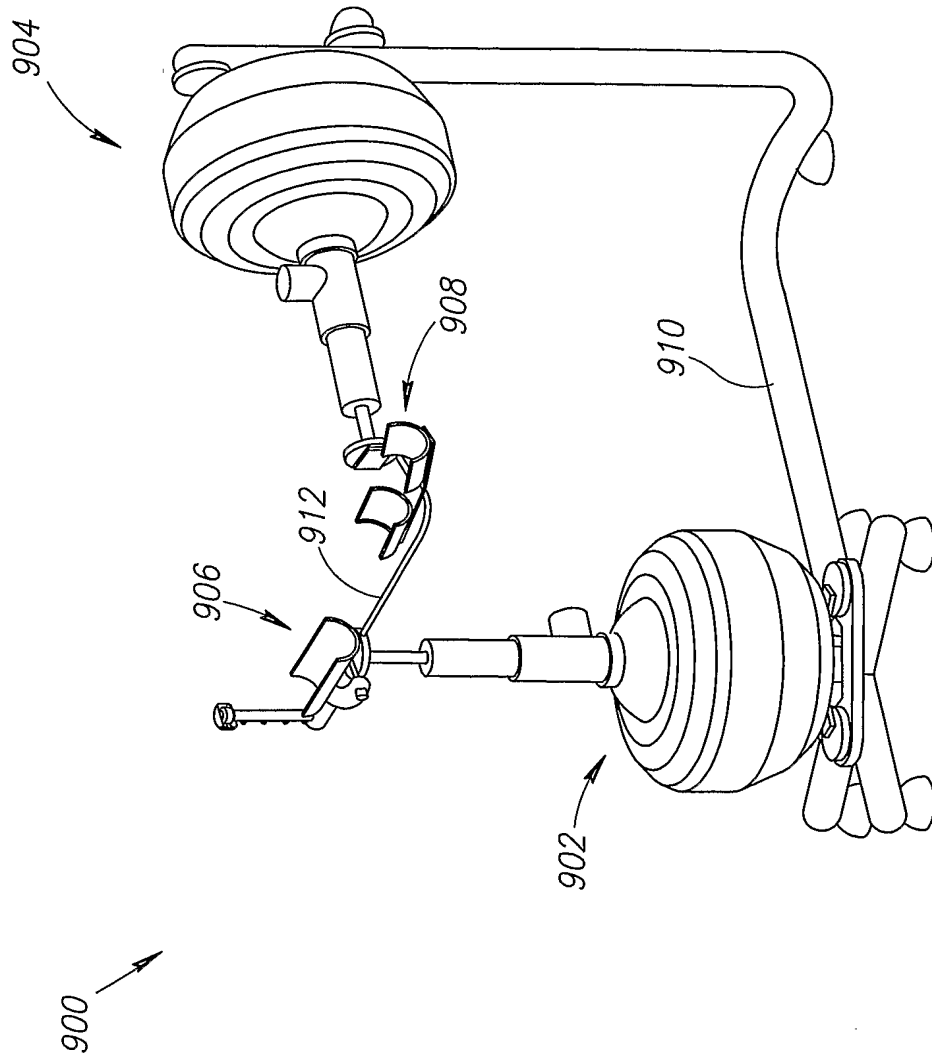


FIG.9A



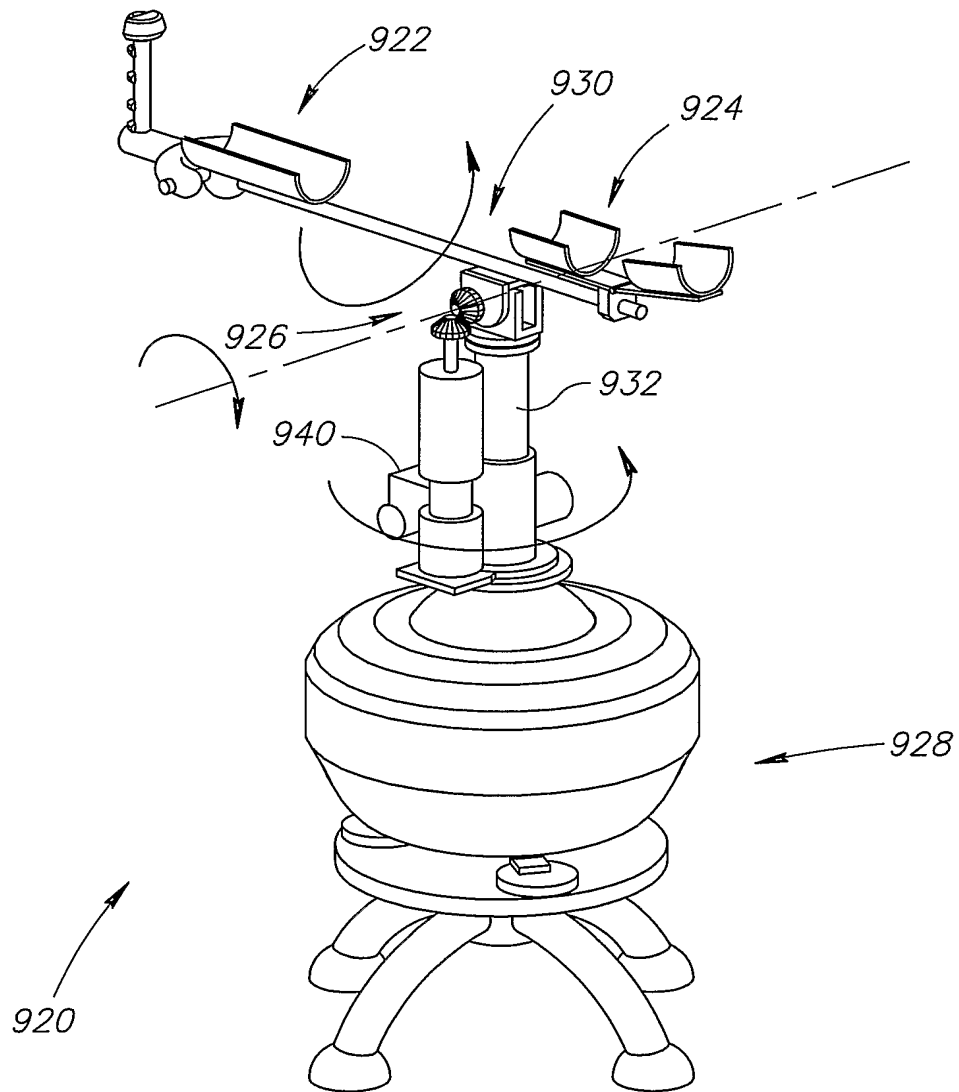


FIG.9B

10/40

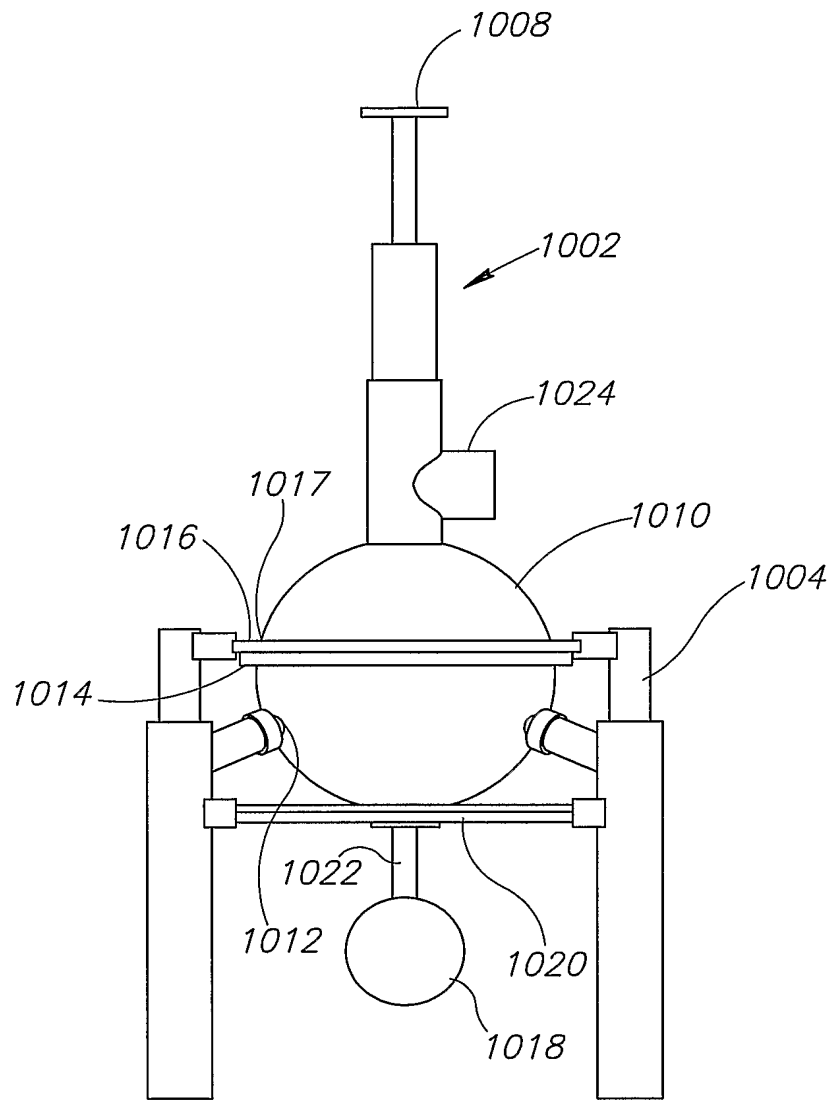


FIG.10

11/40

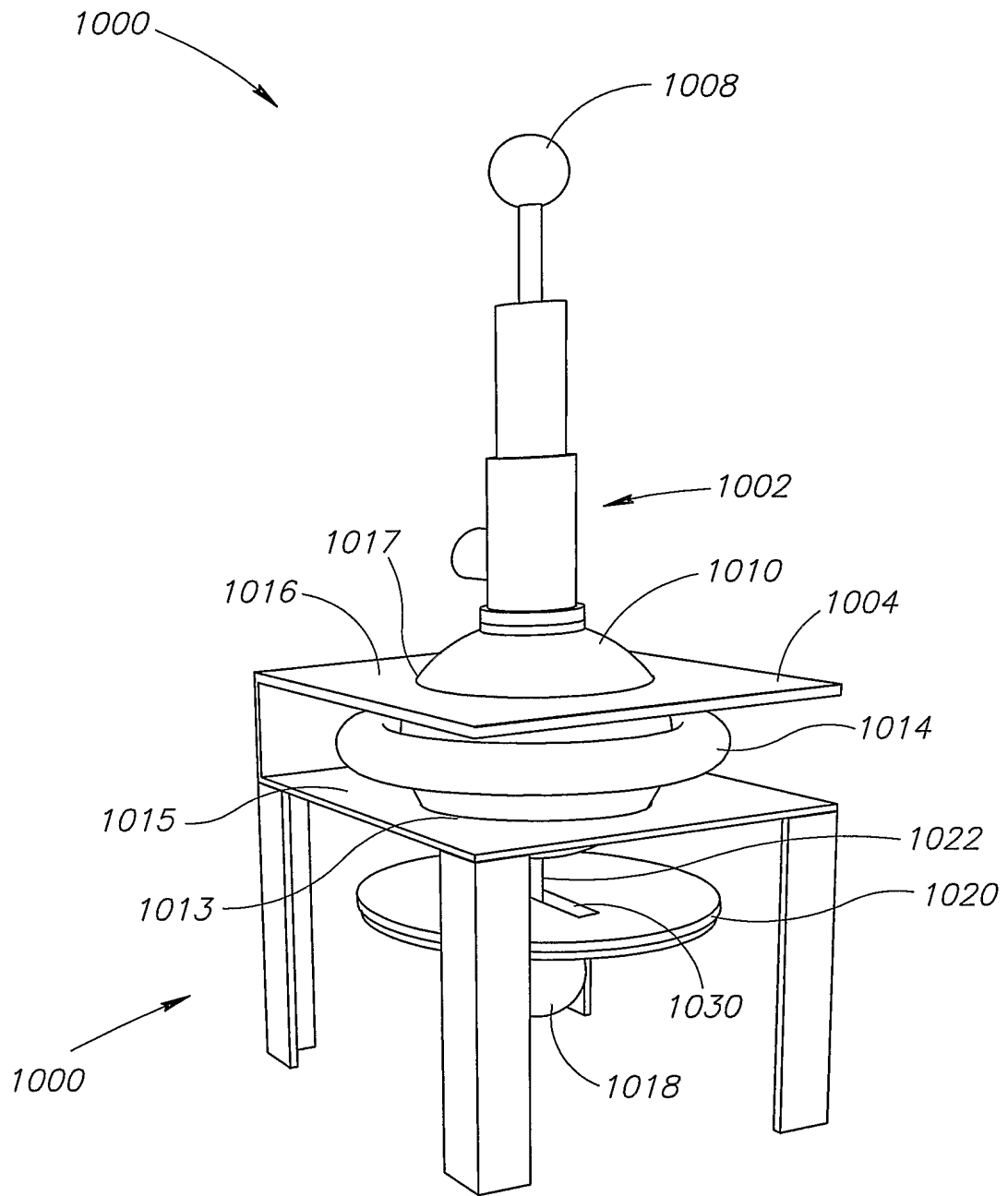


FIG.11

12/40

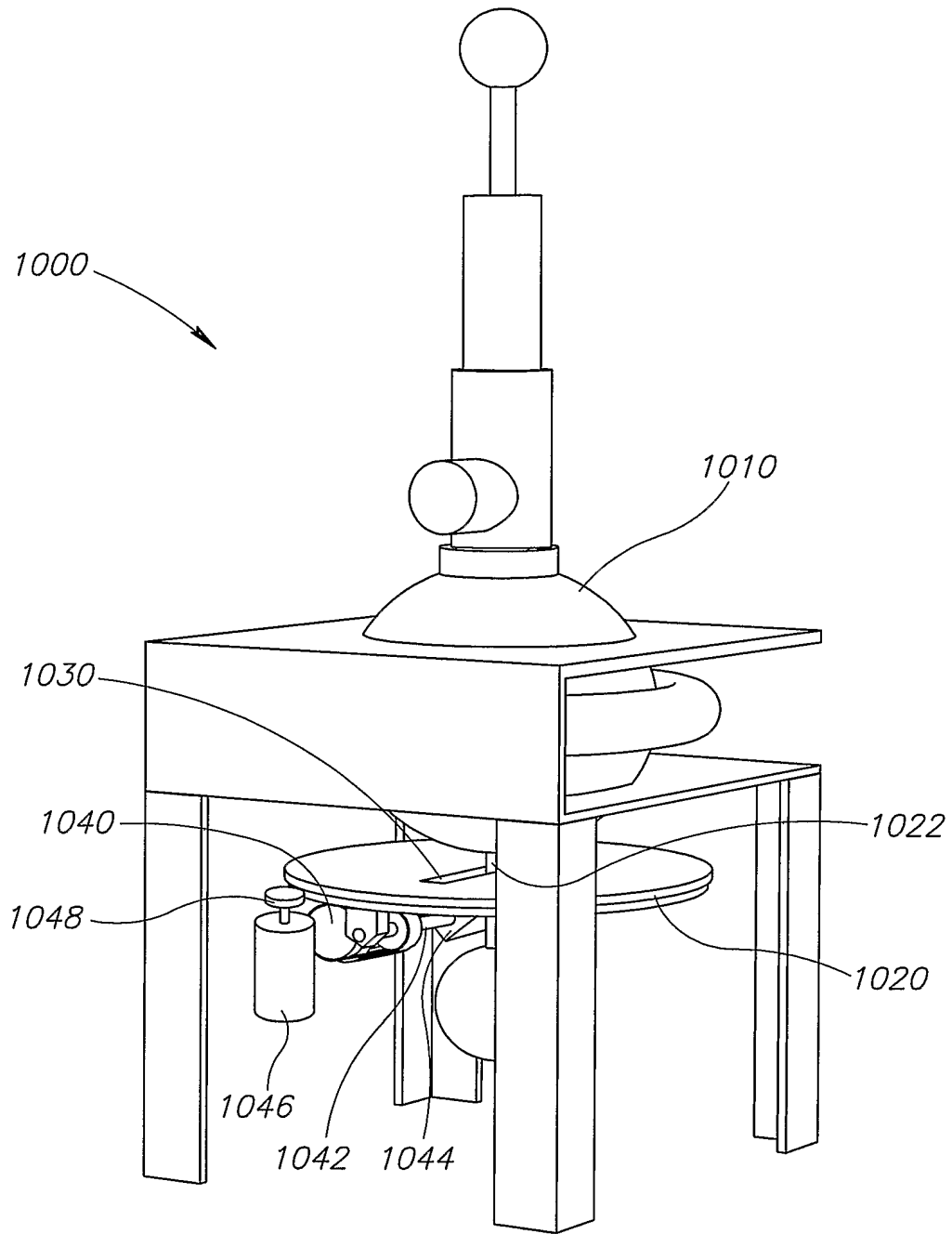


FIG.12

13/40

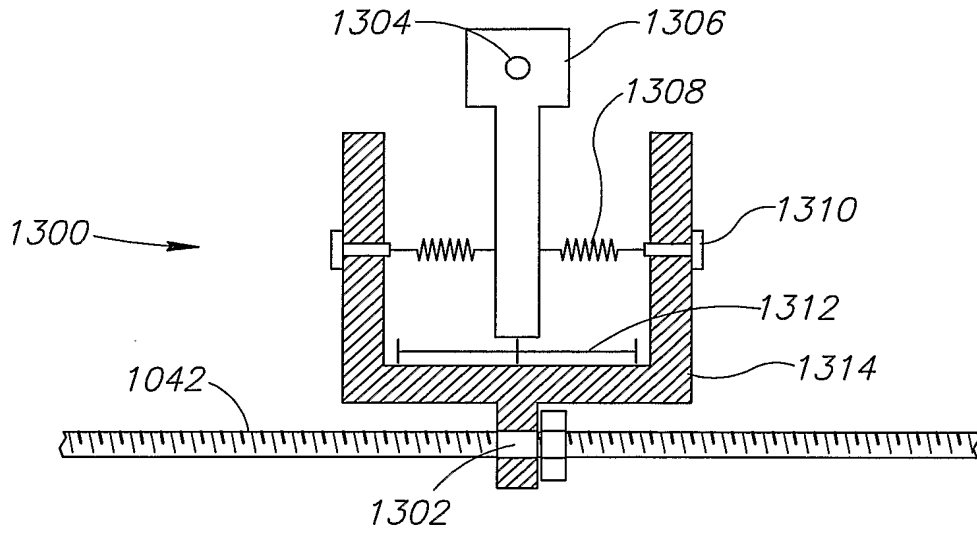


FIG.13A

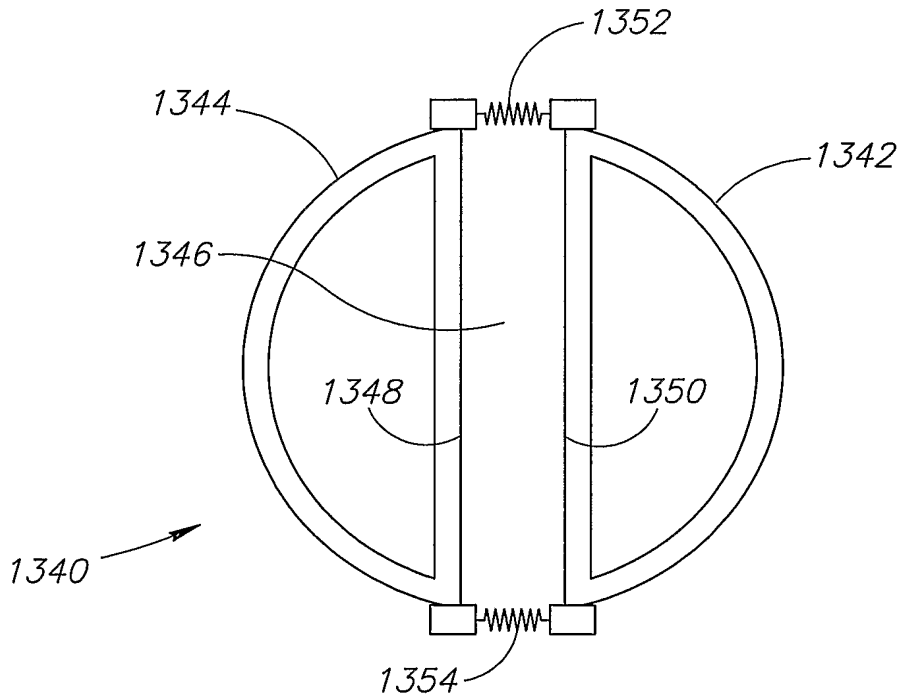


FIG.13B

14/40

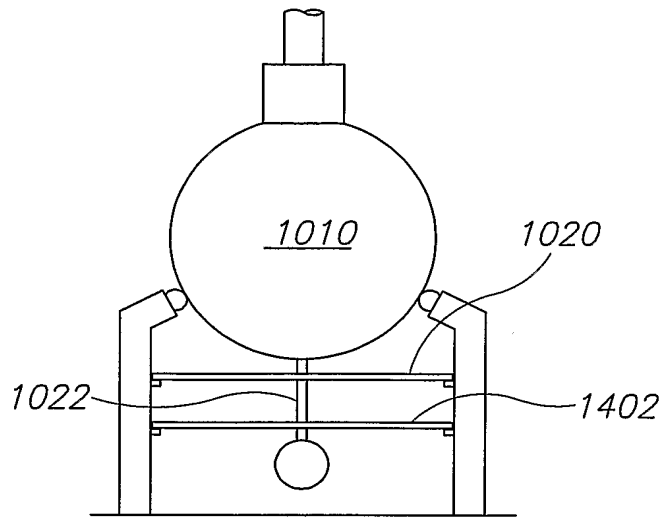


FIG. 14A

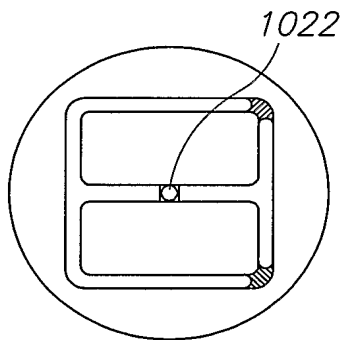


FIG. 14B

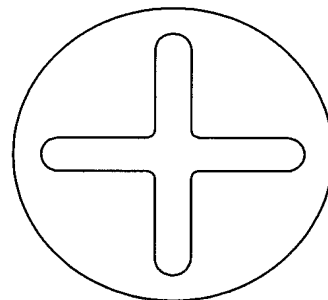


FIG. 14C

15/40

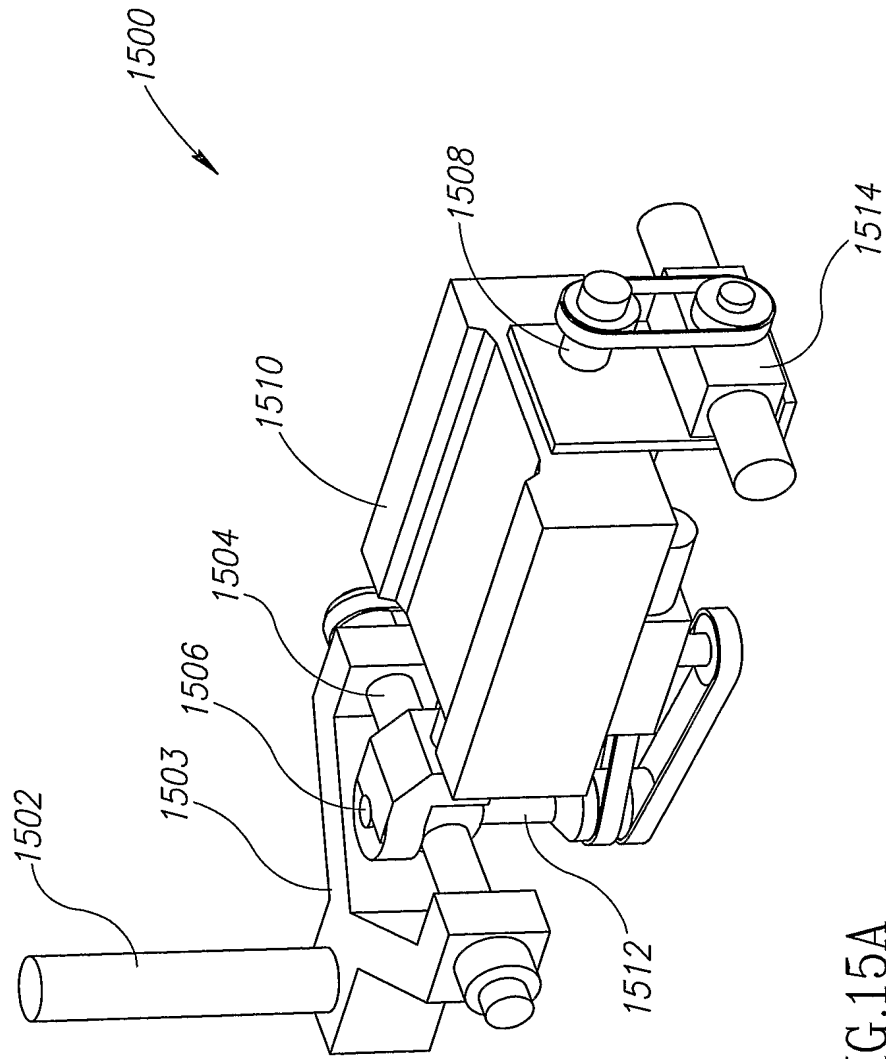


FIG.15A

16/40

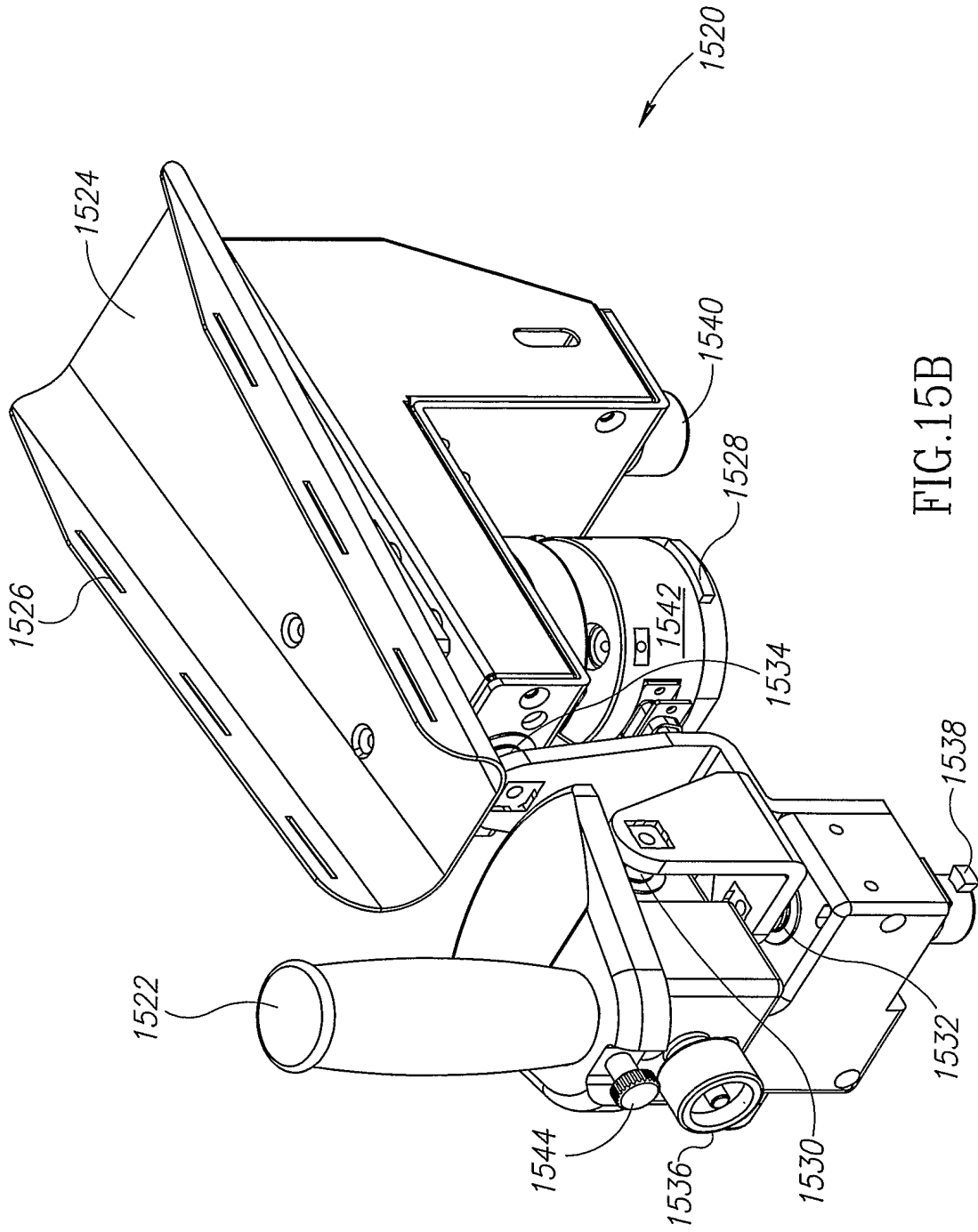


FIG.15B



17/40

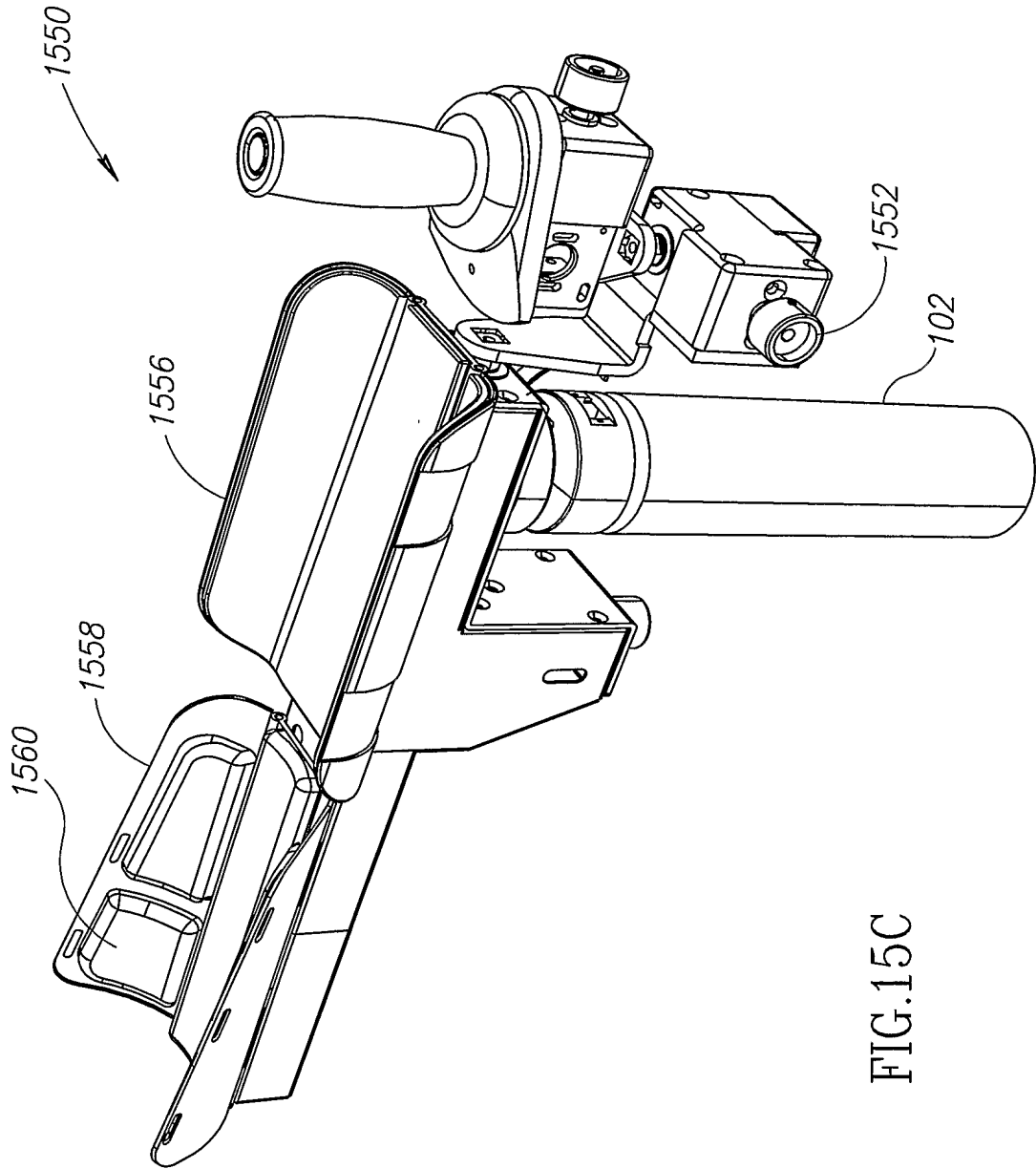


FIG.15C

18/40

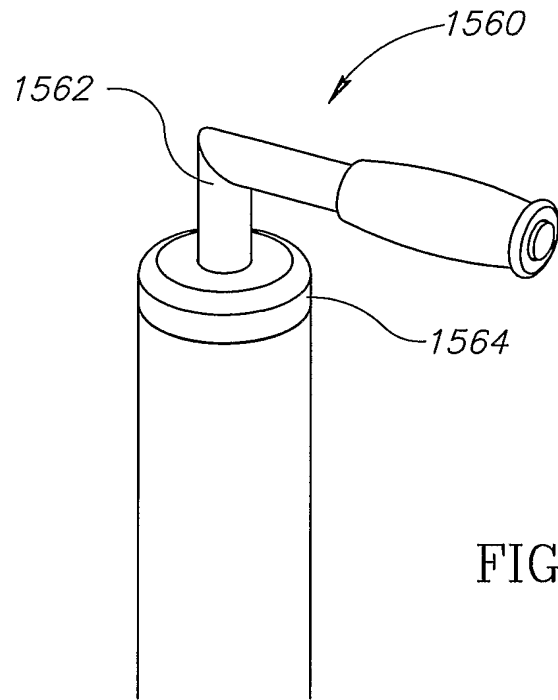


FIG. 15D

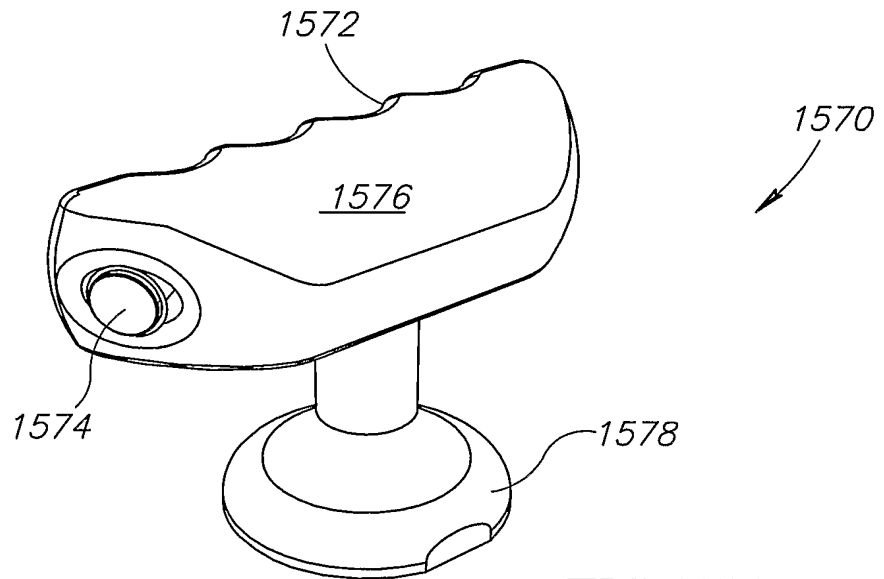


FIG. 15E

19/40

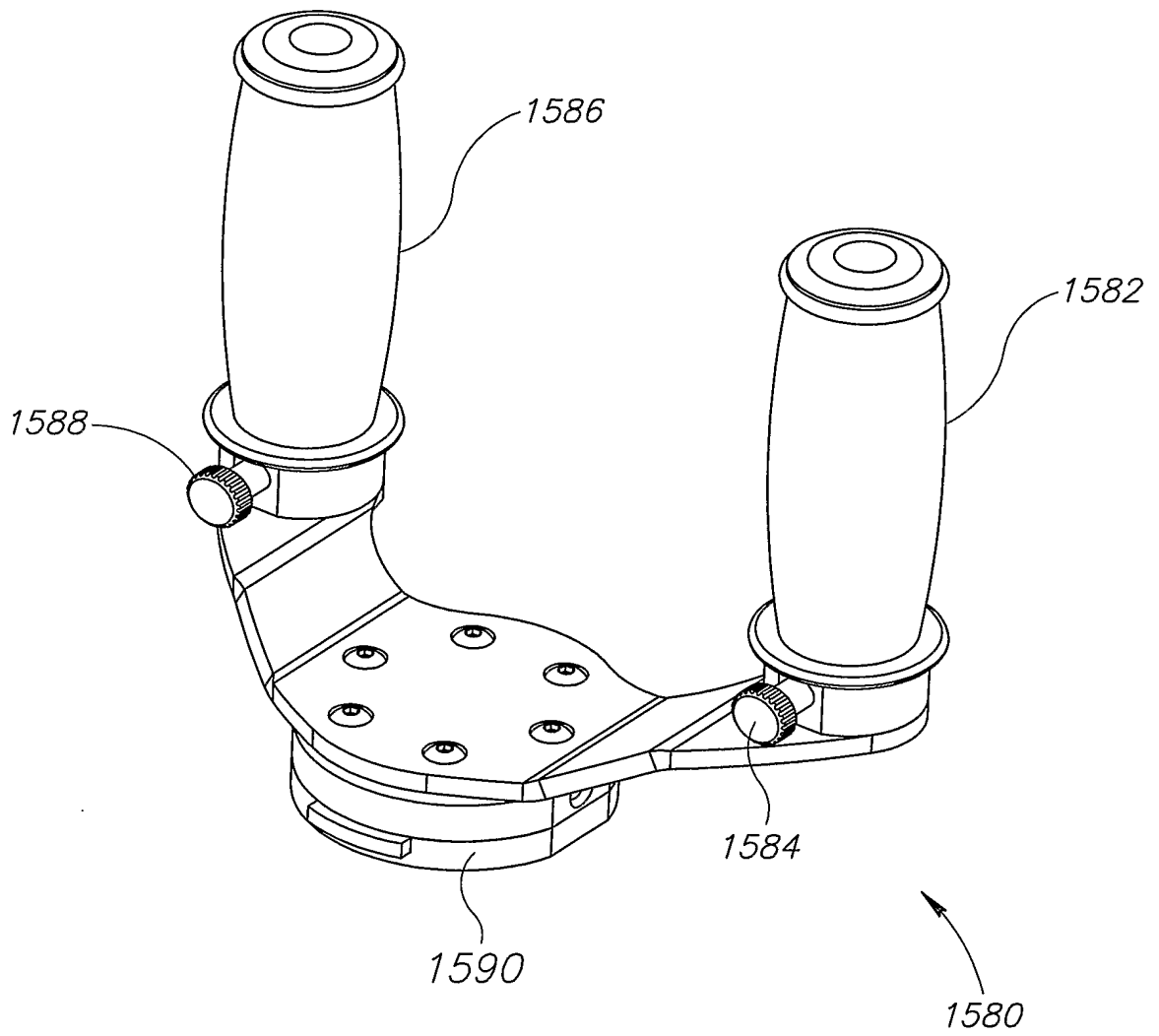
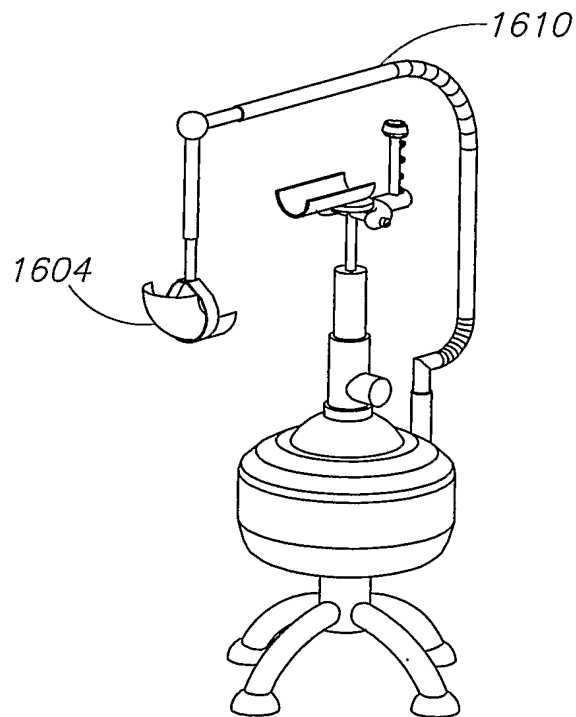
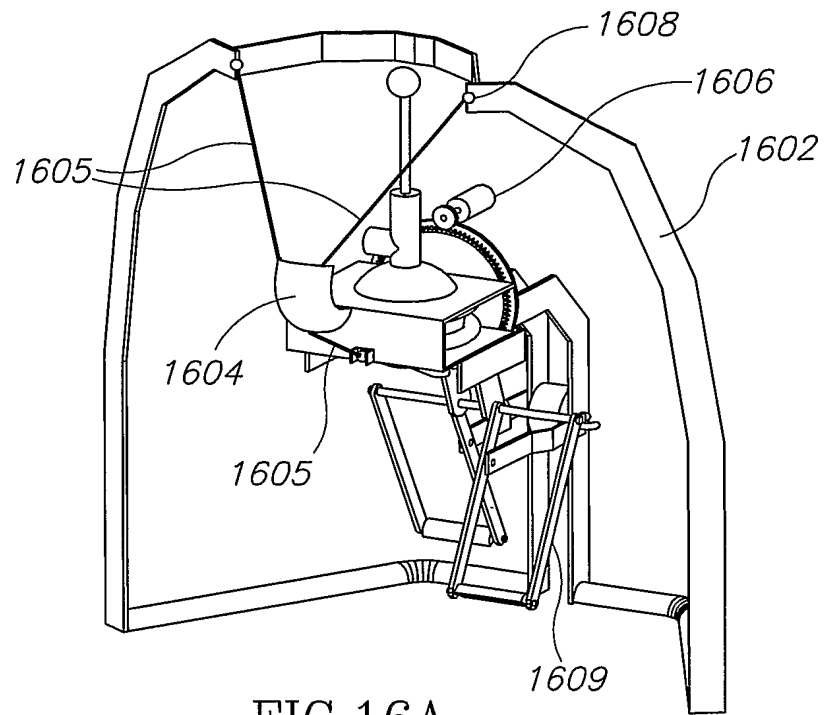


FIG.15F

20/40



21/40

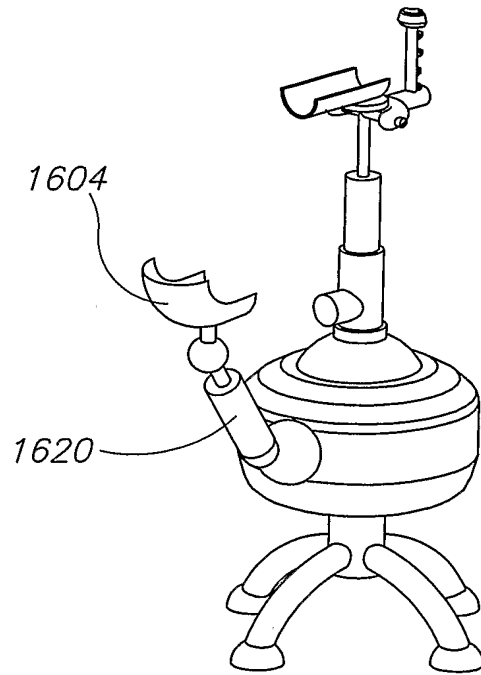


FIG. 16C

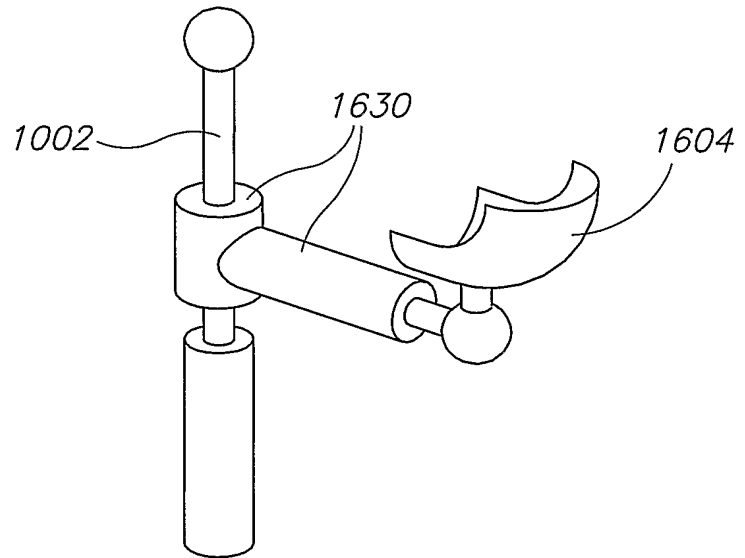


FIG. 16D

22/40

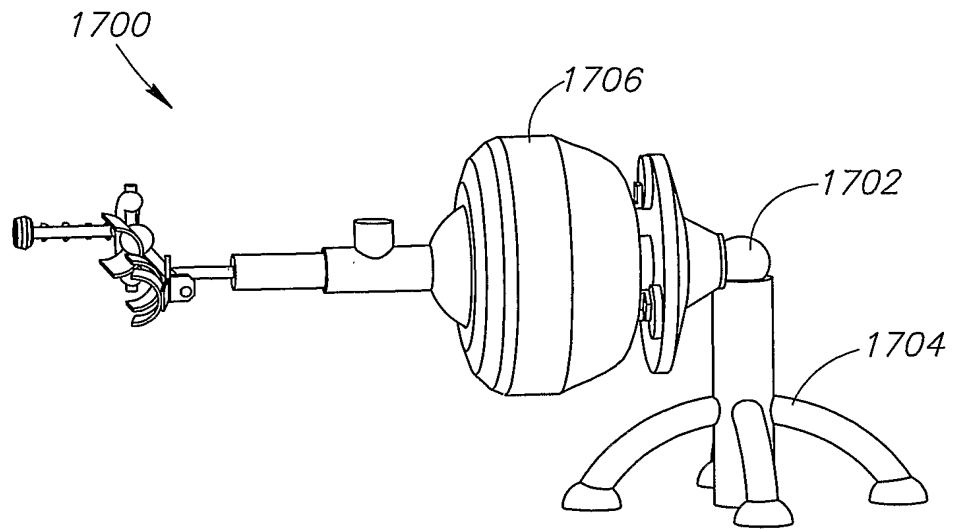


FIG.17A

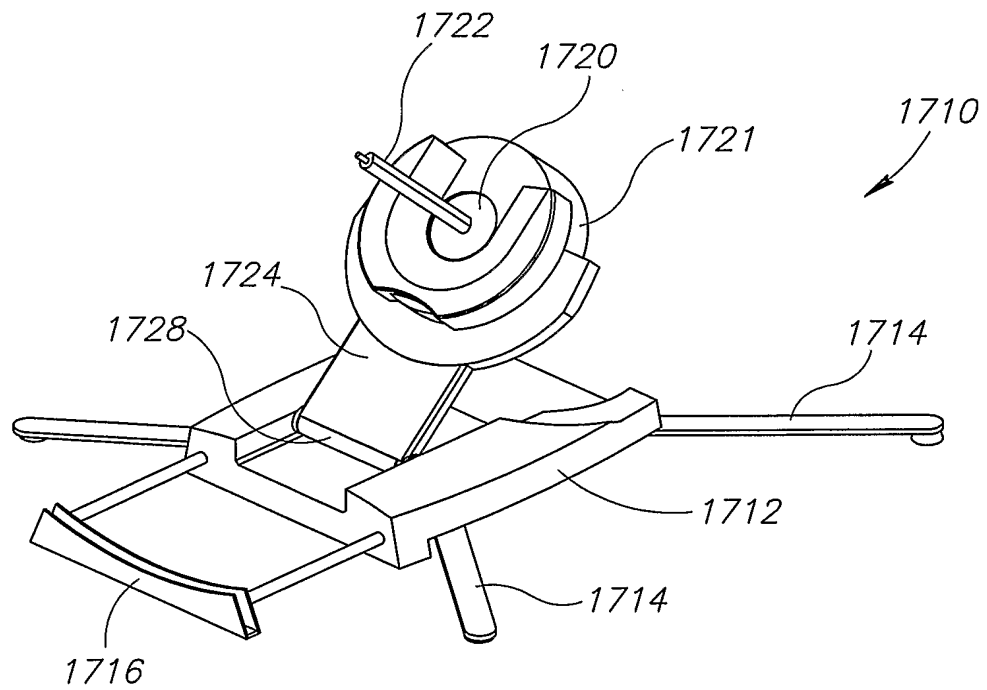


FIG.17B

23/40

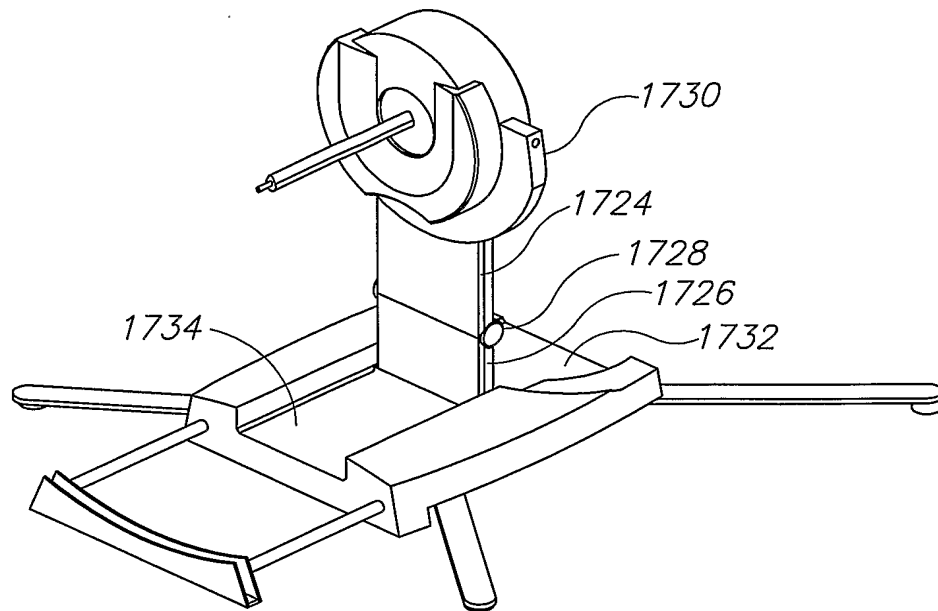


FIG.17C

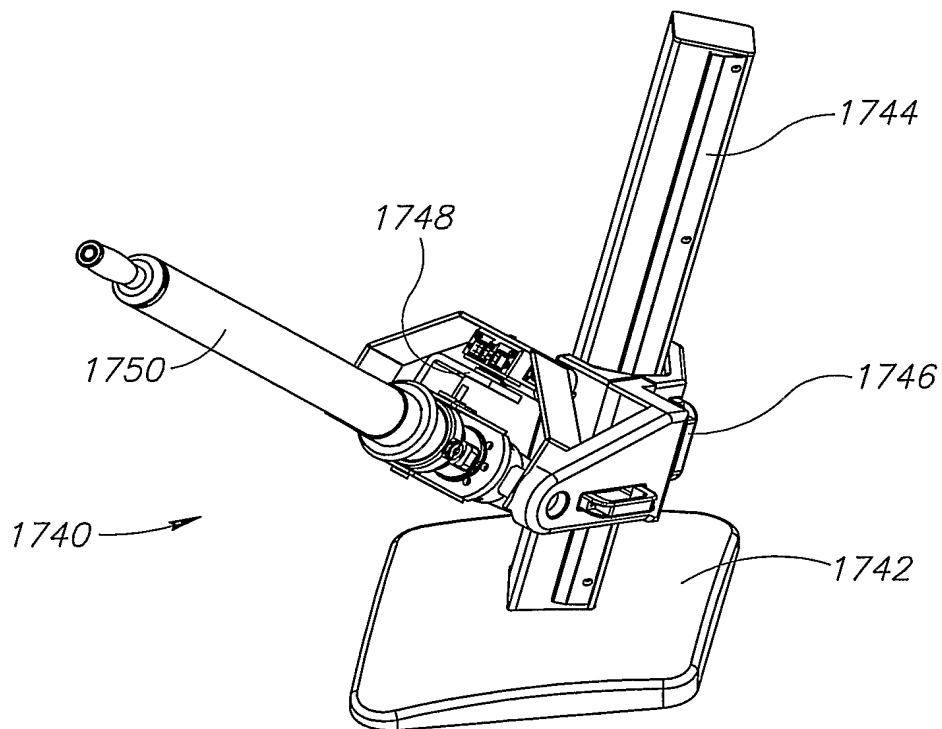


FIG.17D

24/40

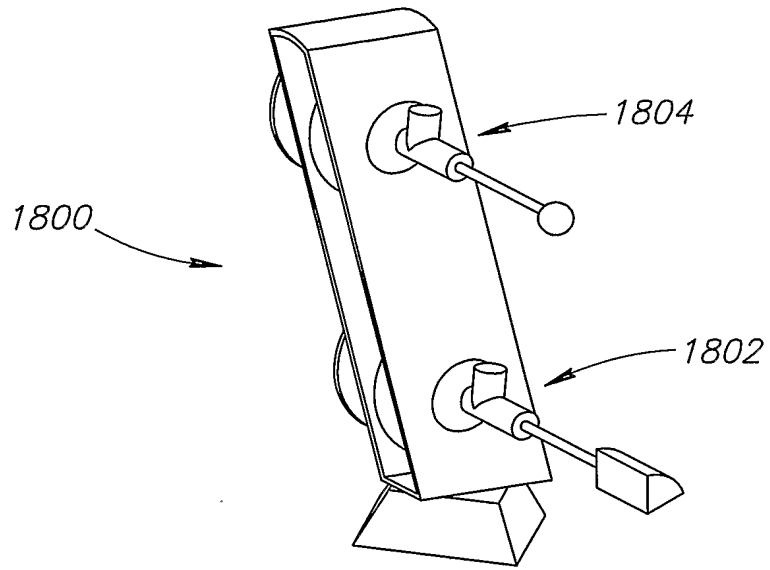


FIG.18



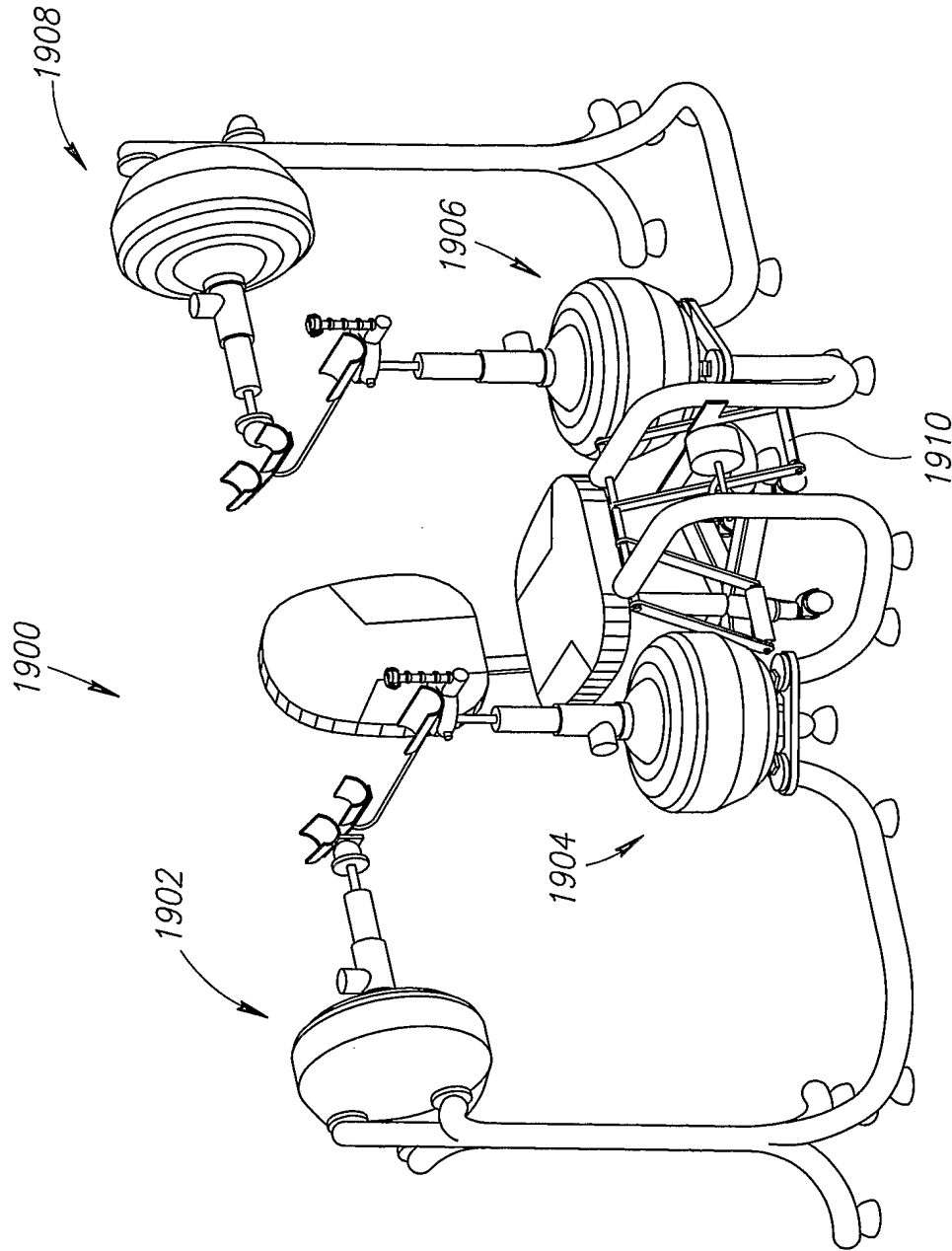


FIG.19A

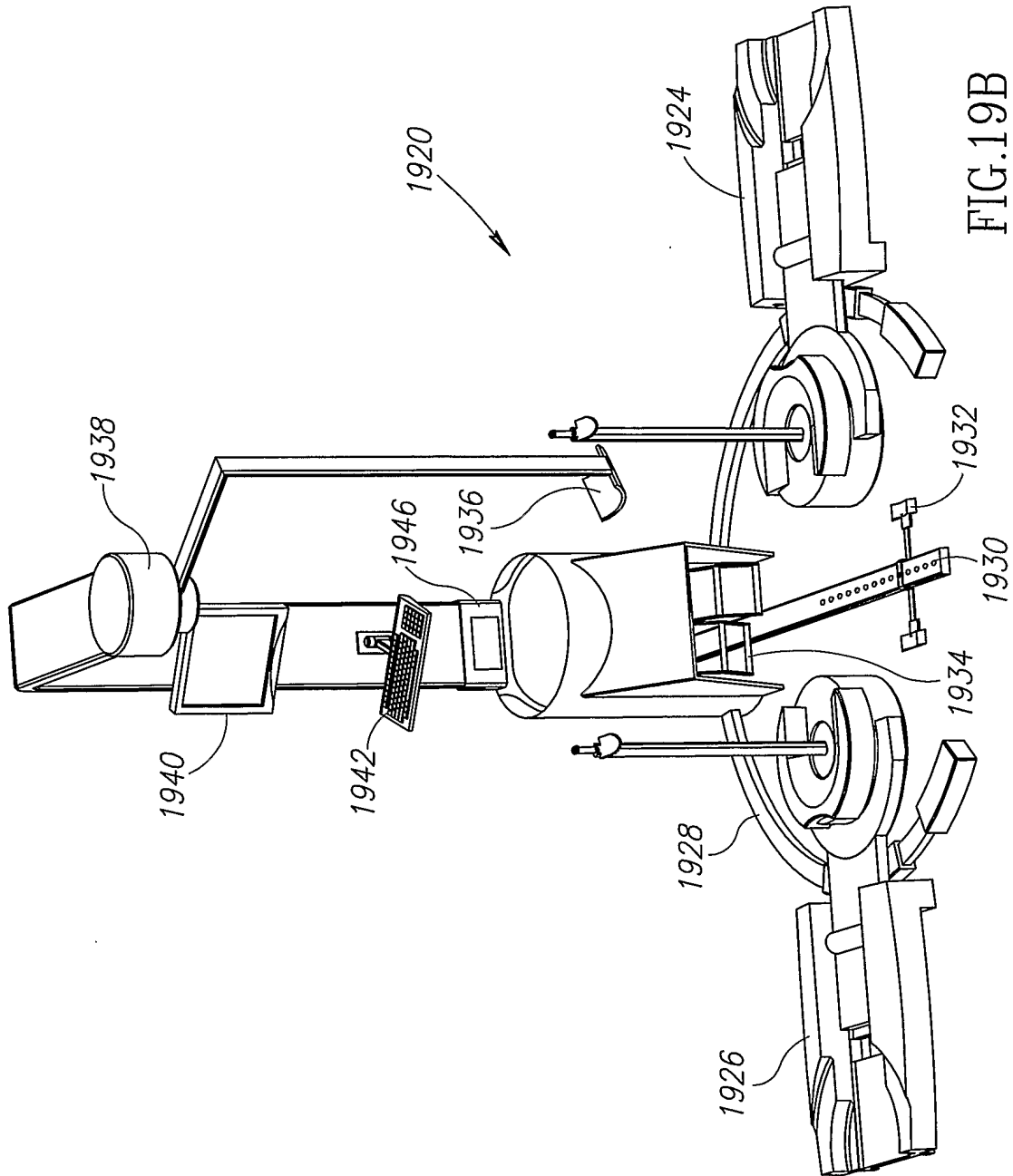


FIG. 19B

27/40

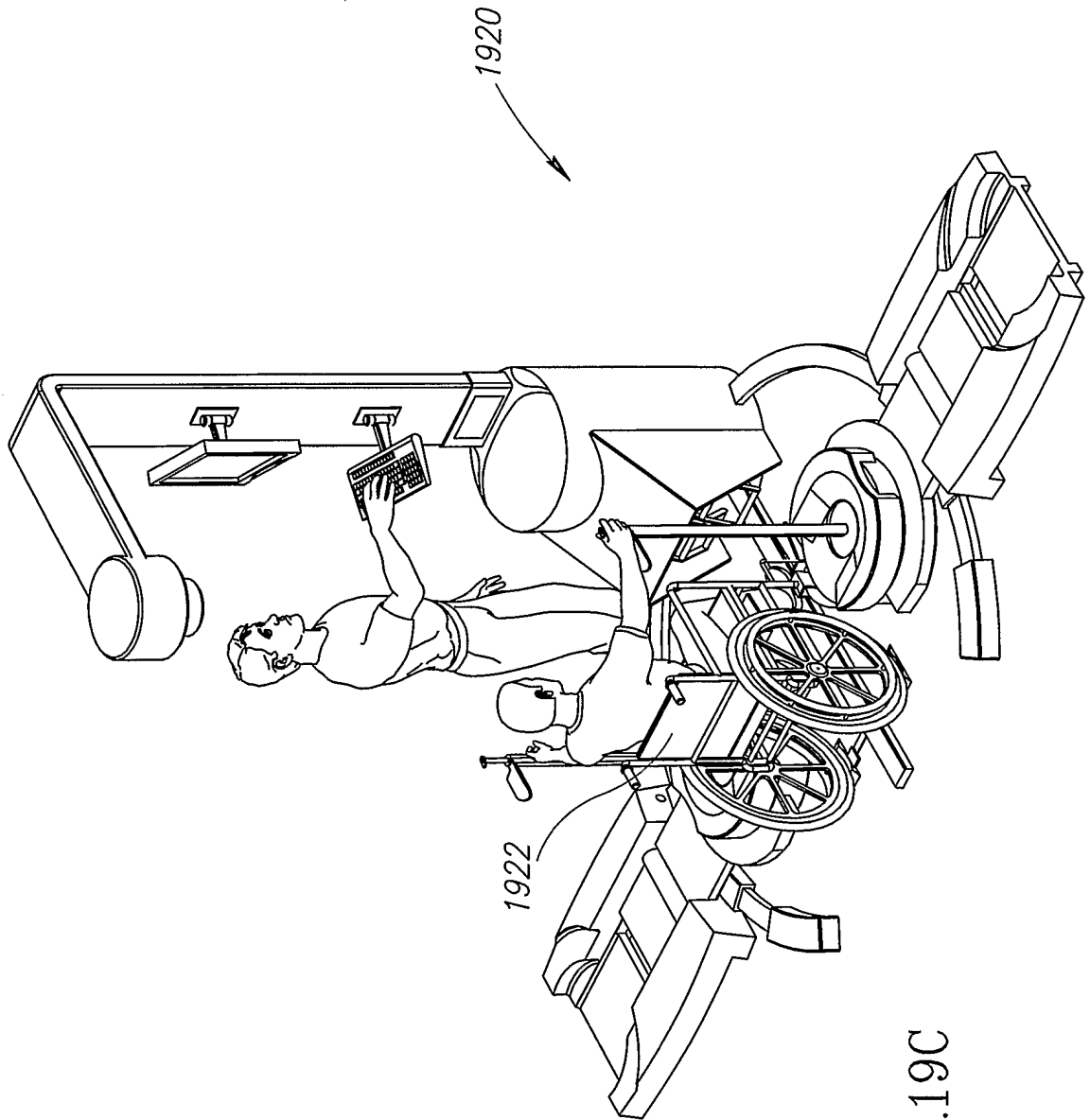


FIG.19C

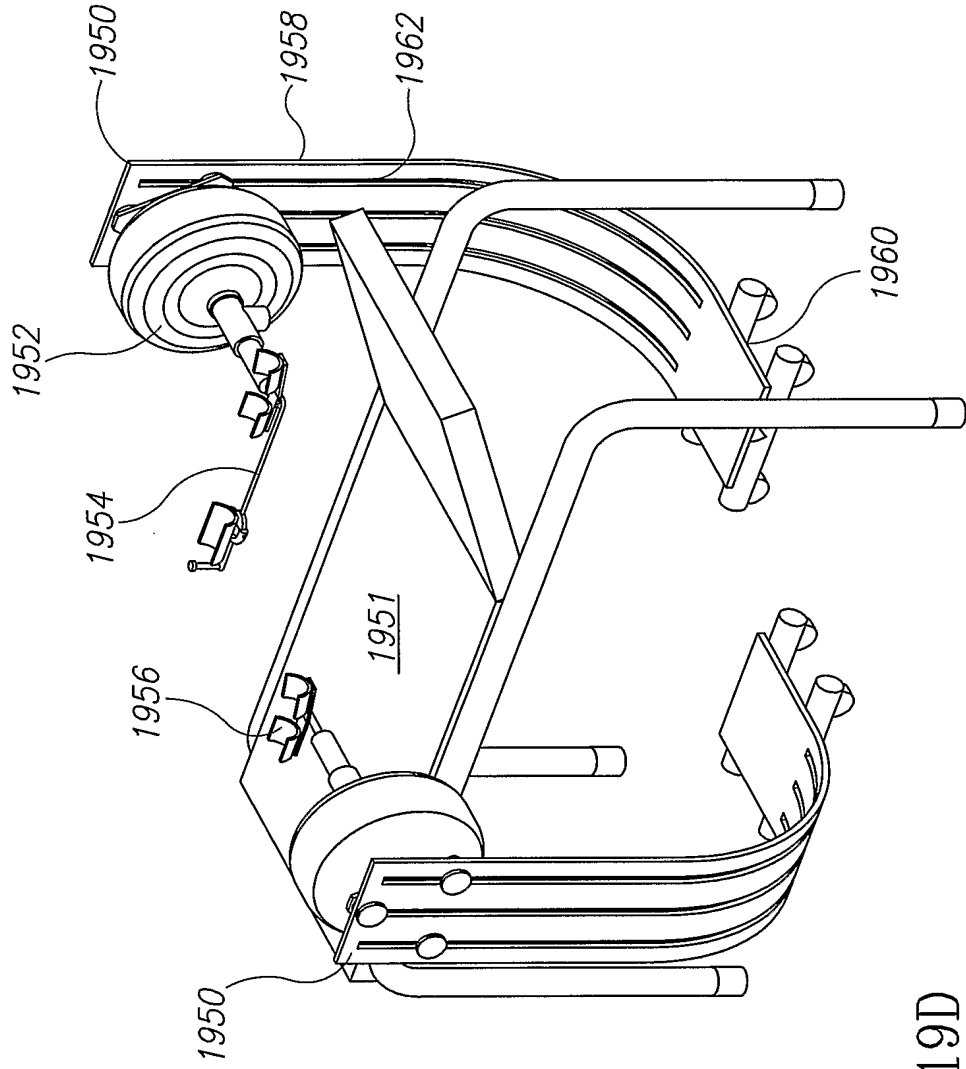


FIG.19D

29/40

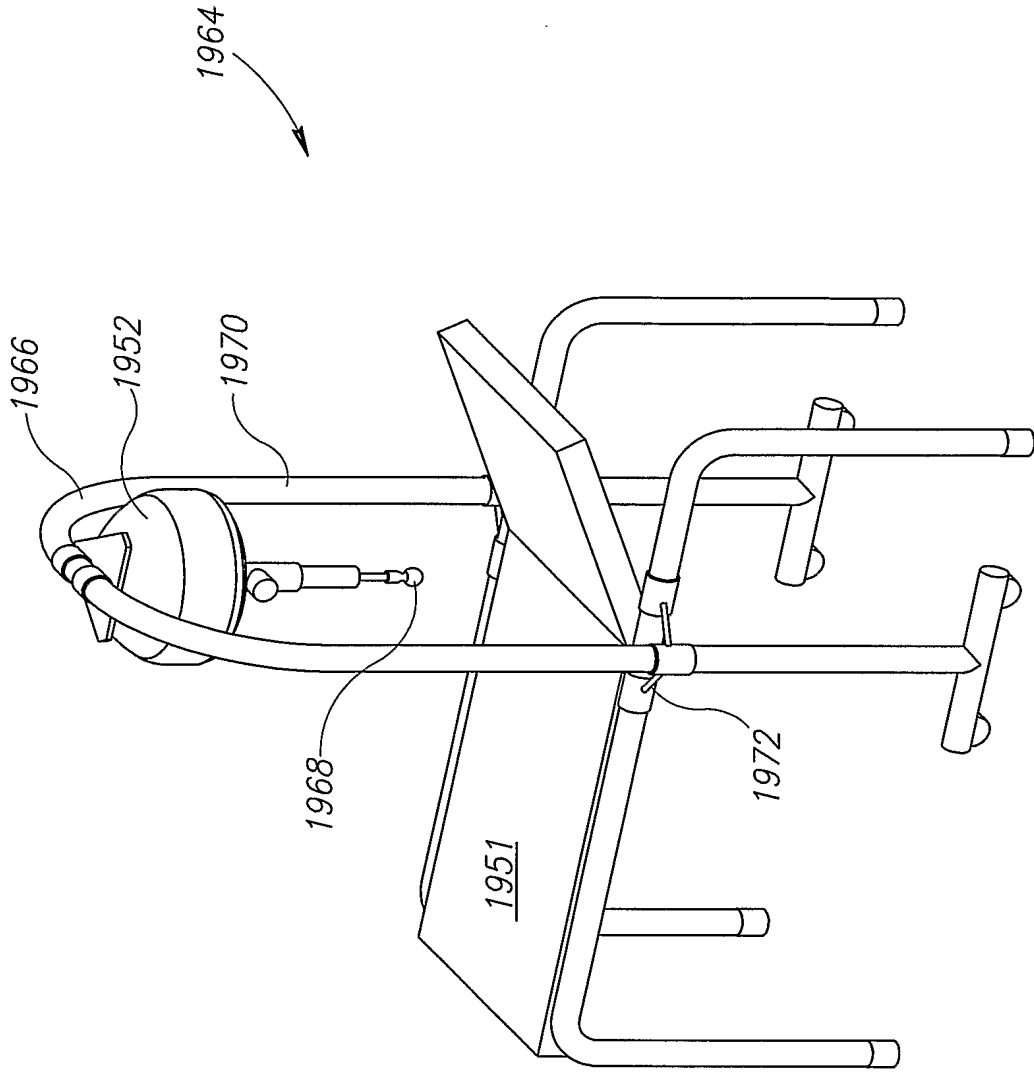


FIG.19E

30/40

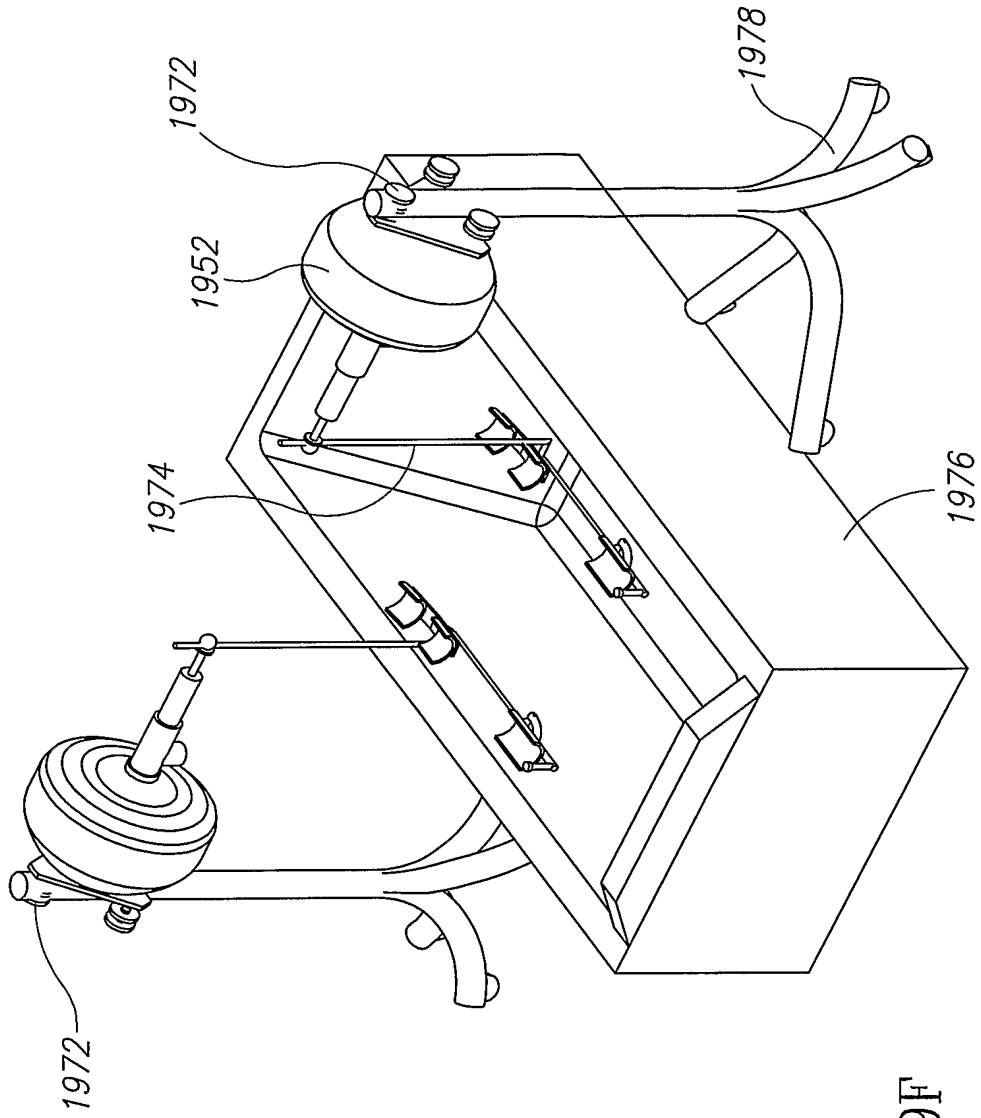


FIG.19F

31/40

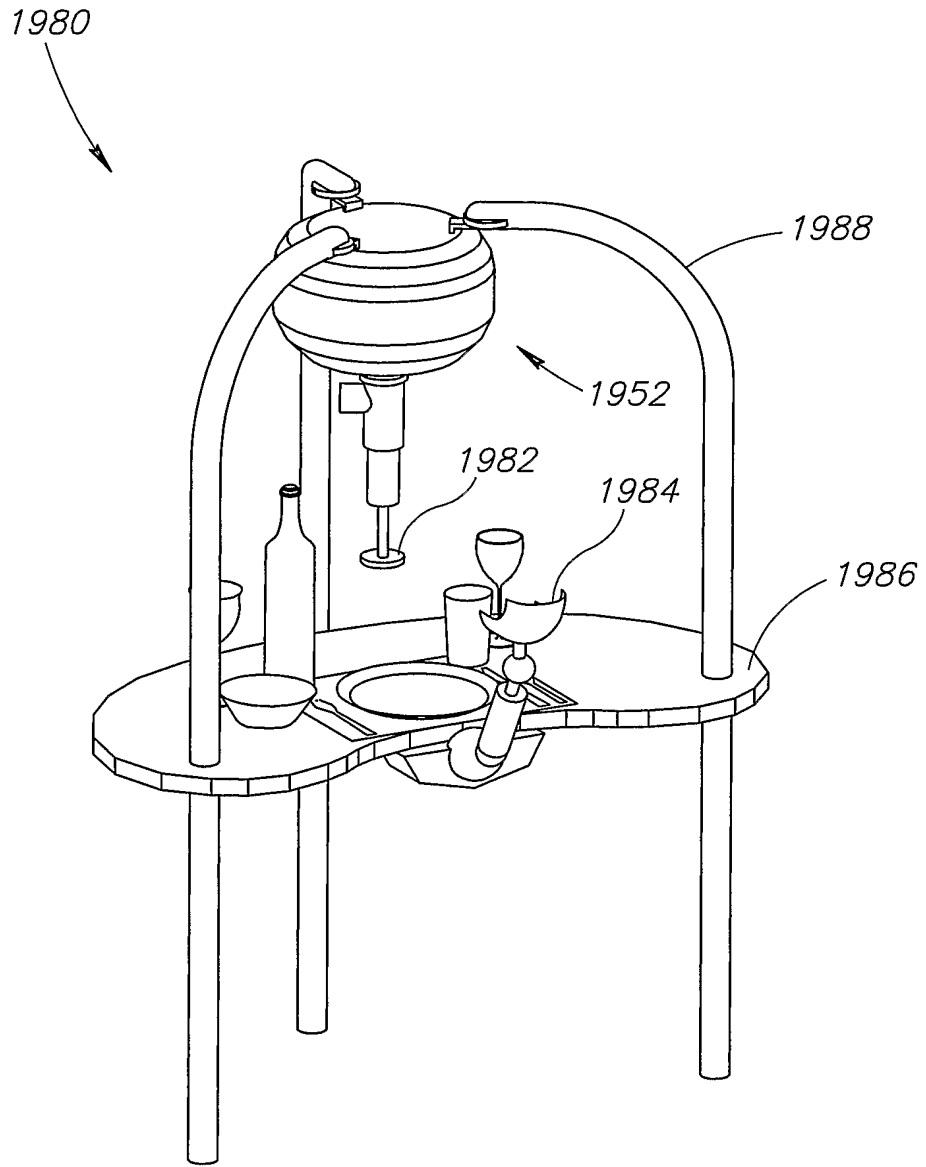


FIG.19G

32/40

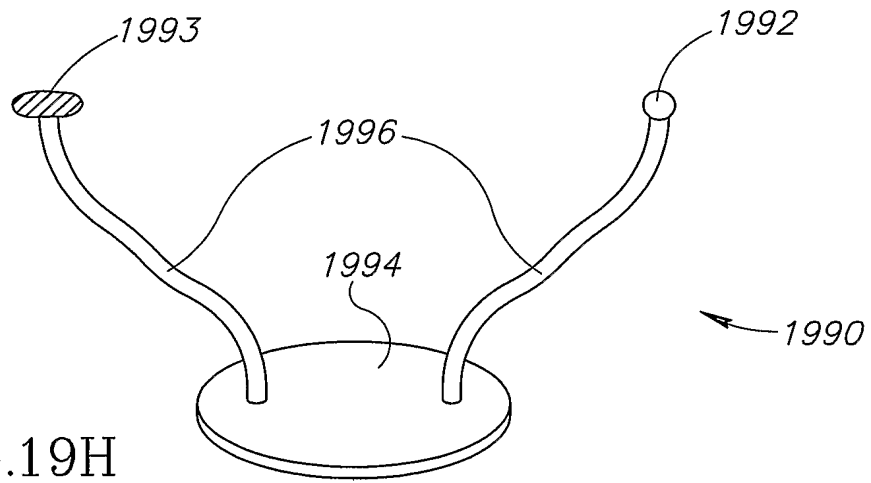


FIG. 19H

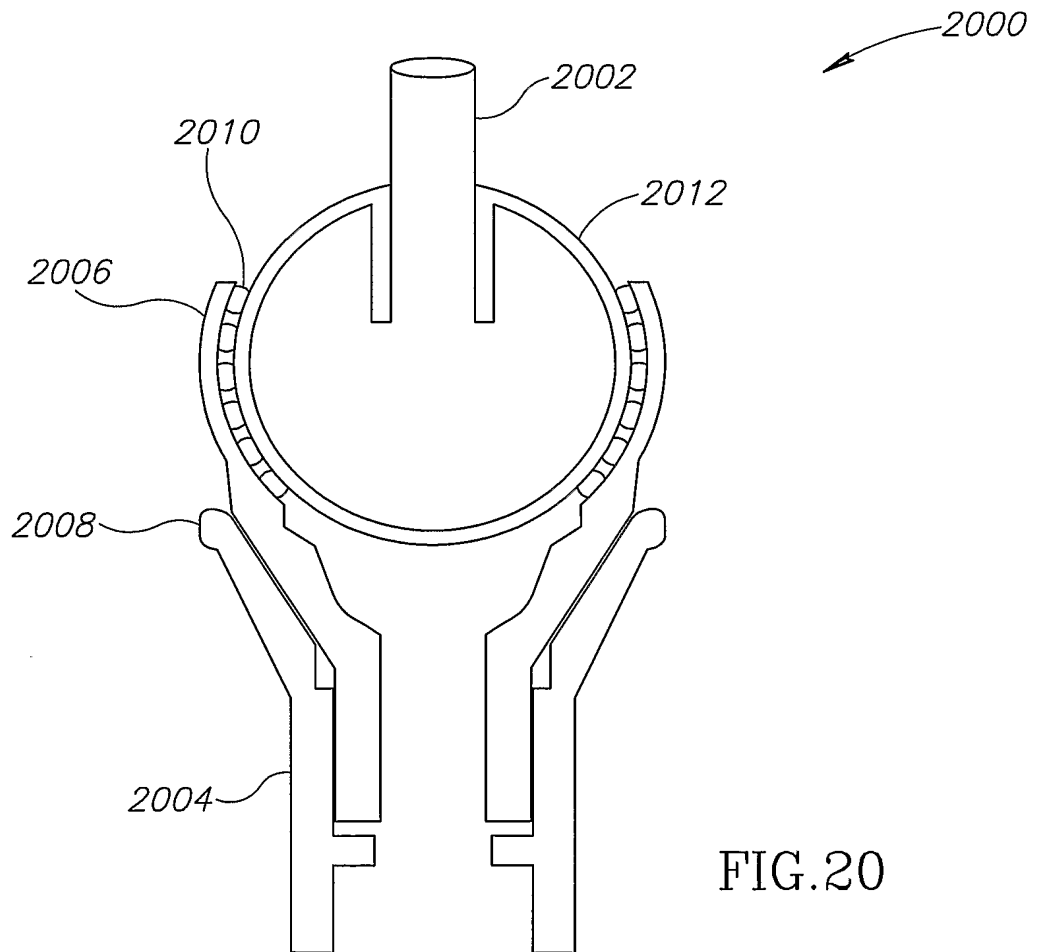


FIG. 20



33/40

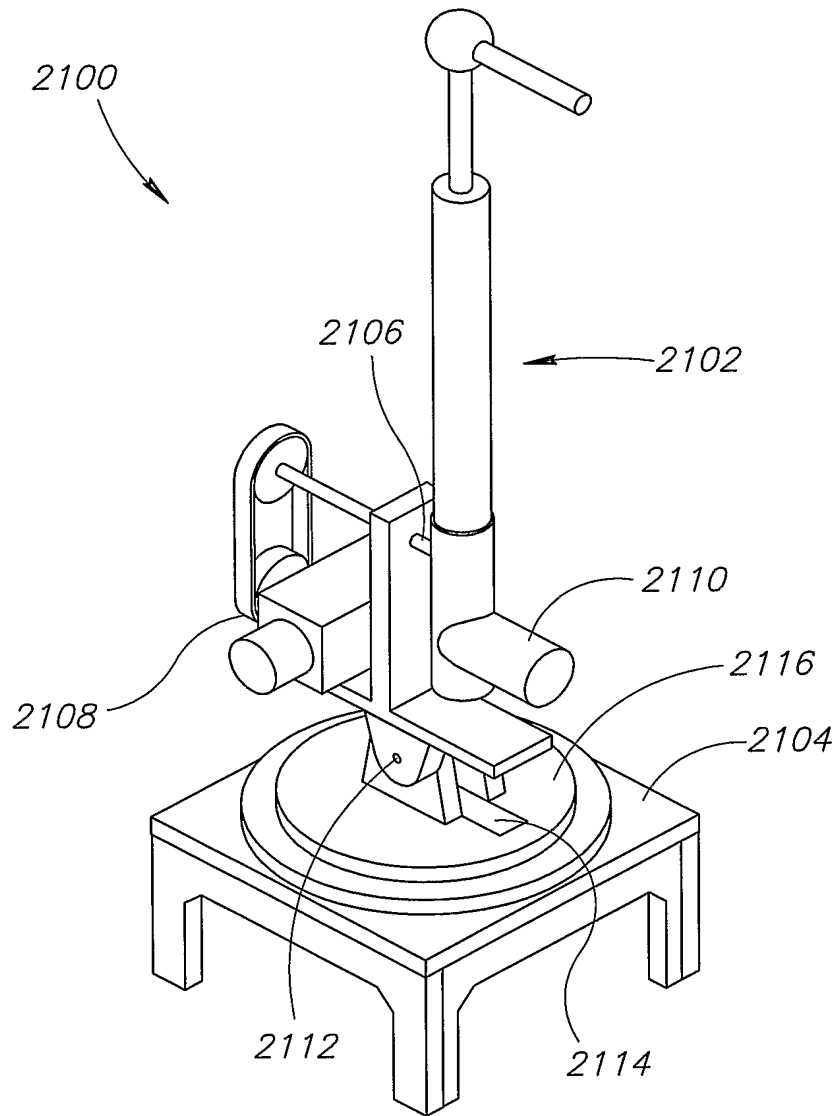


FIG.21

34/40

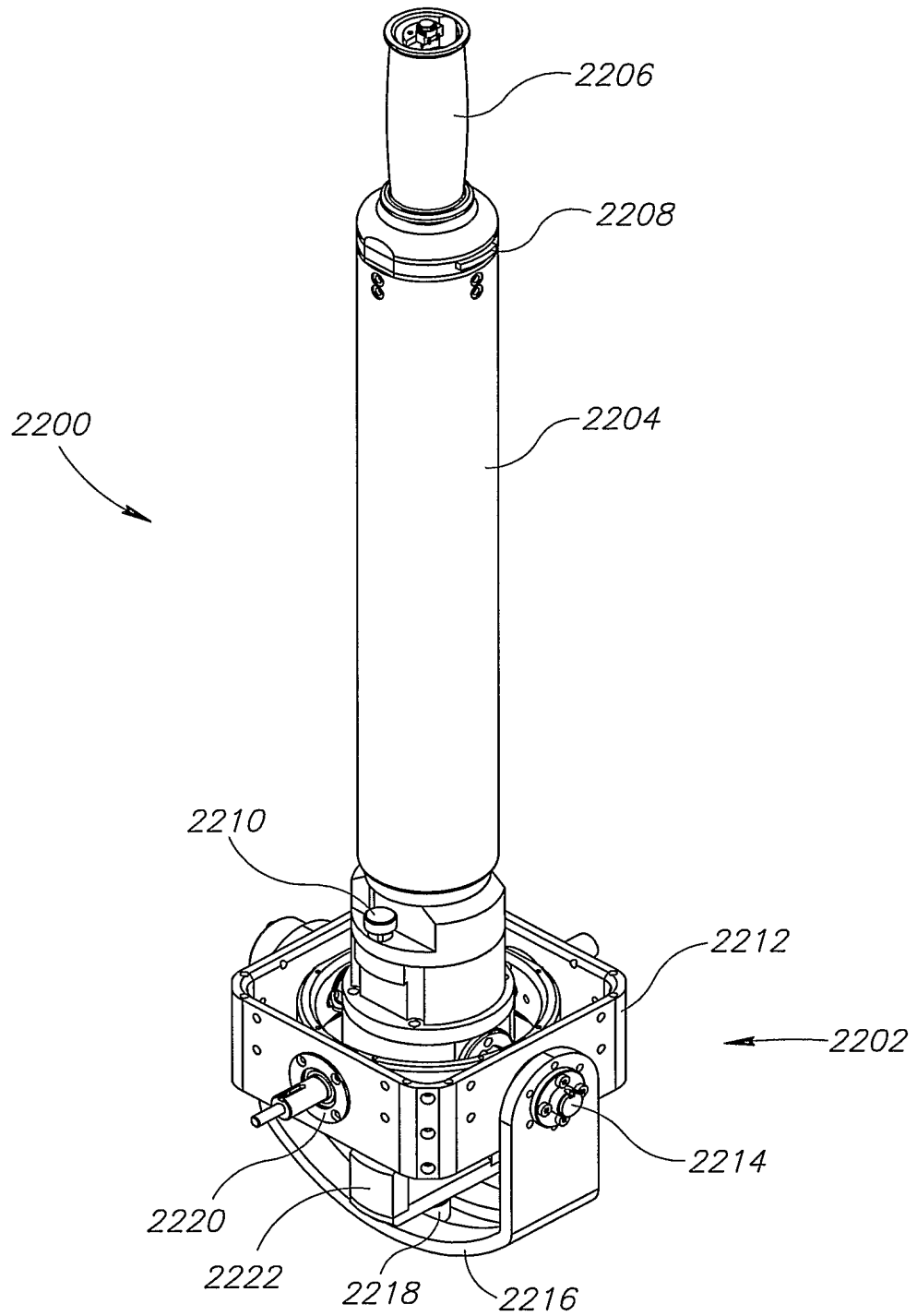


FIG. 22A

35/40

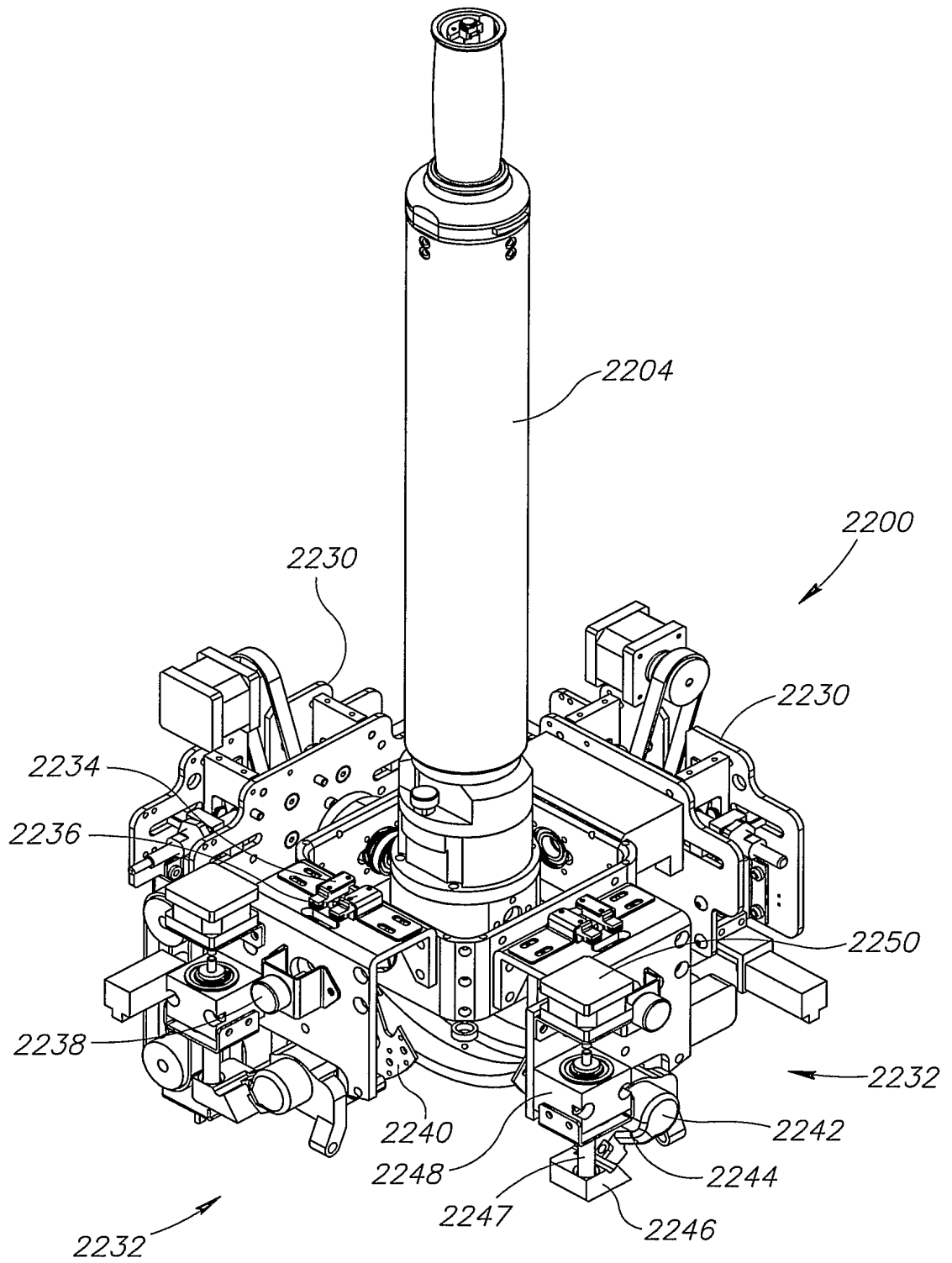


FIG.22B

36/40

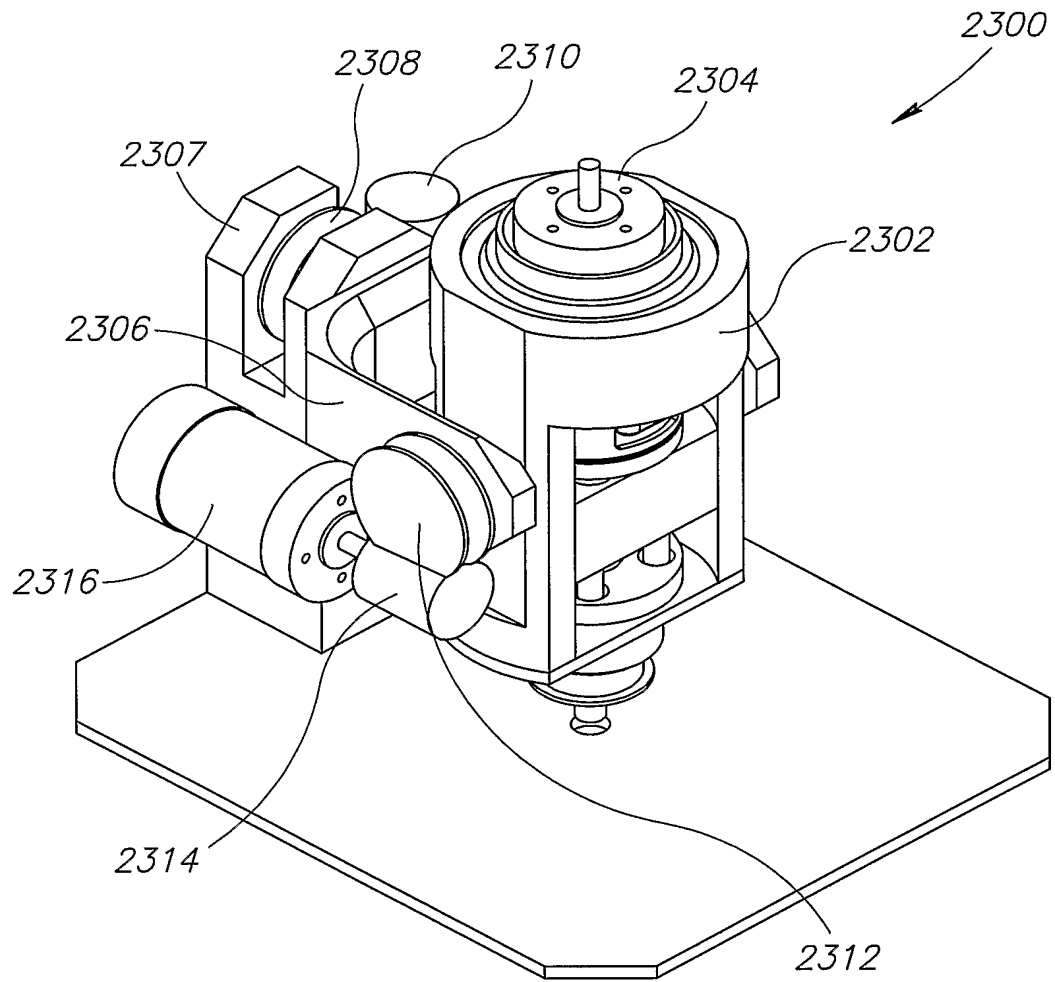


FIG.23

37/40

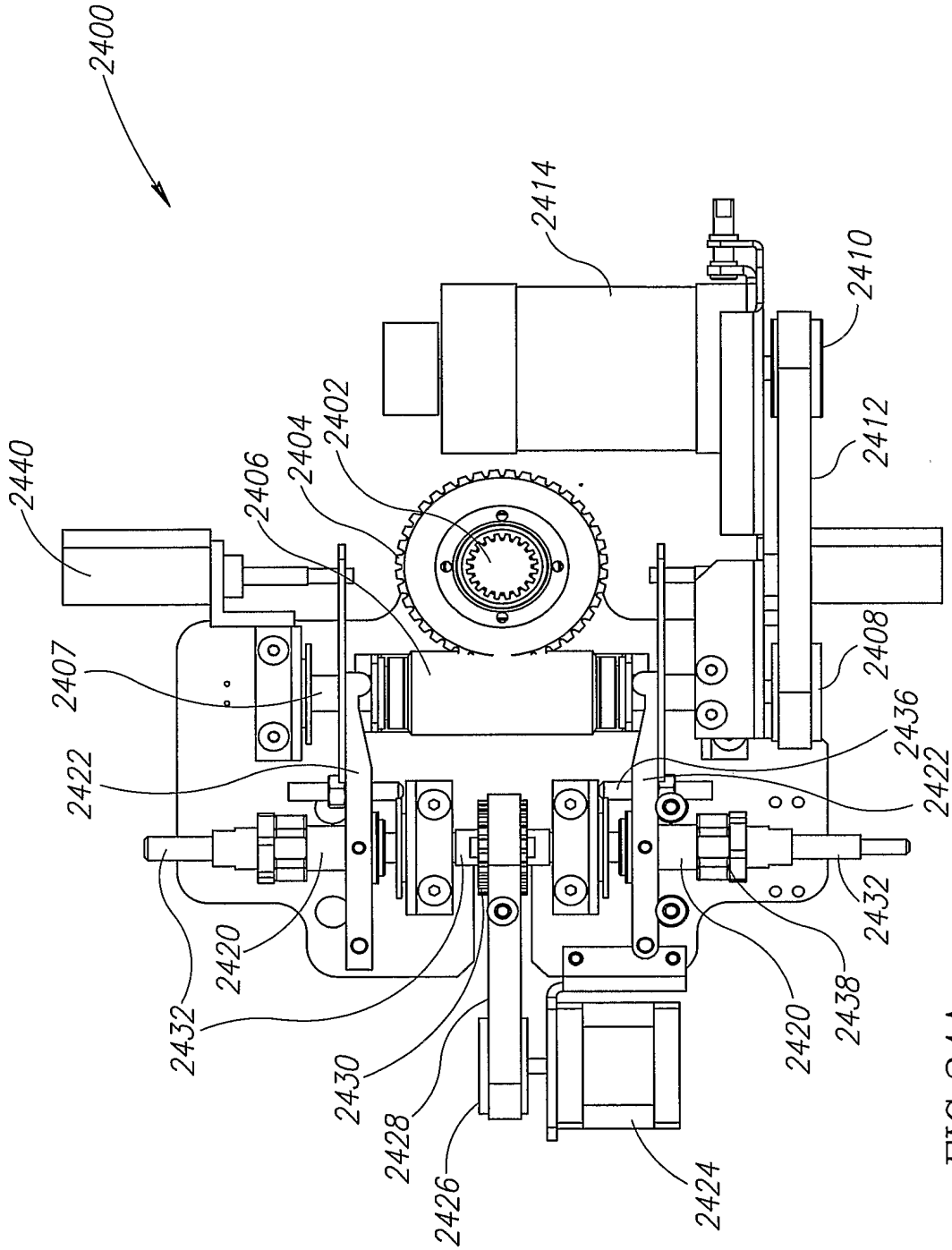


FIG. 24A

38/40

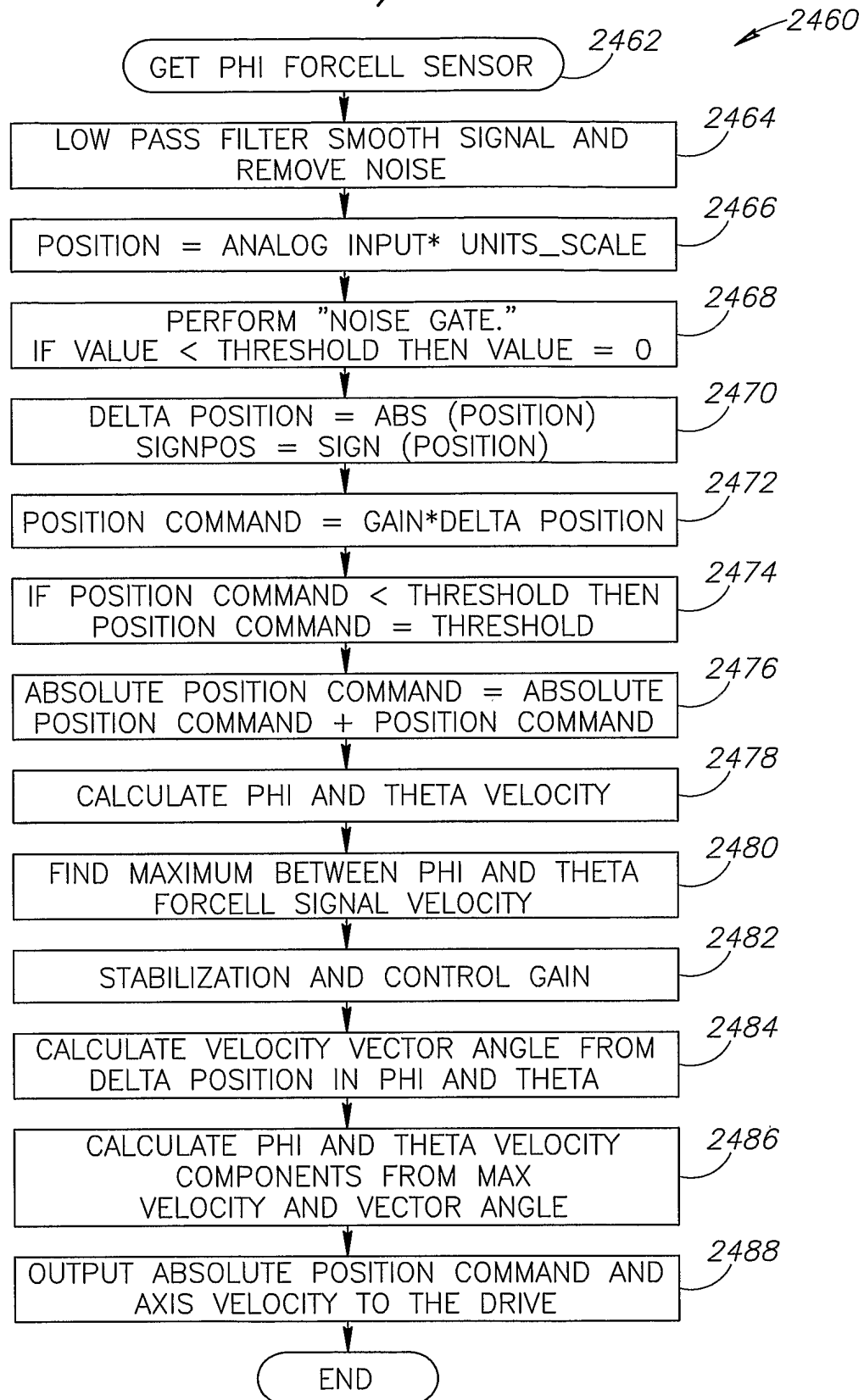


FIG.24B

39/40

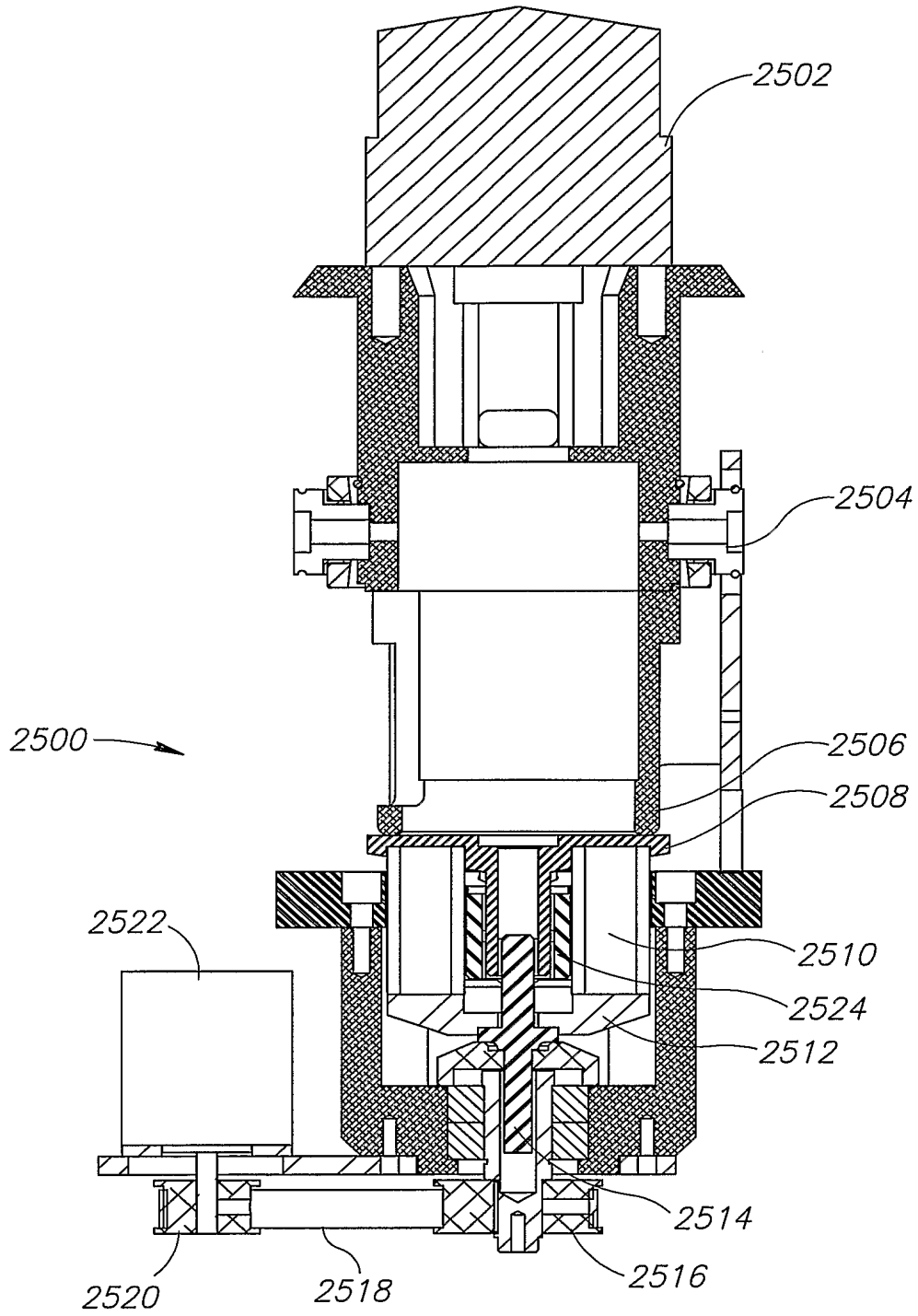


FIG. 25

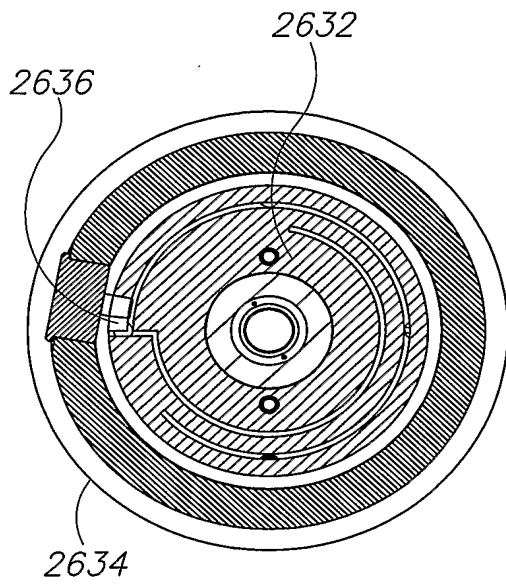


FIG. 26B

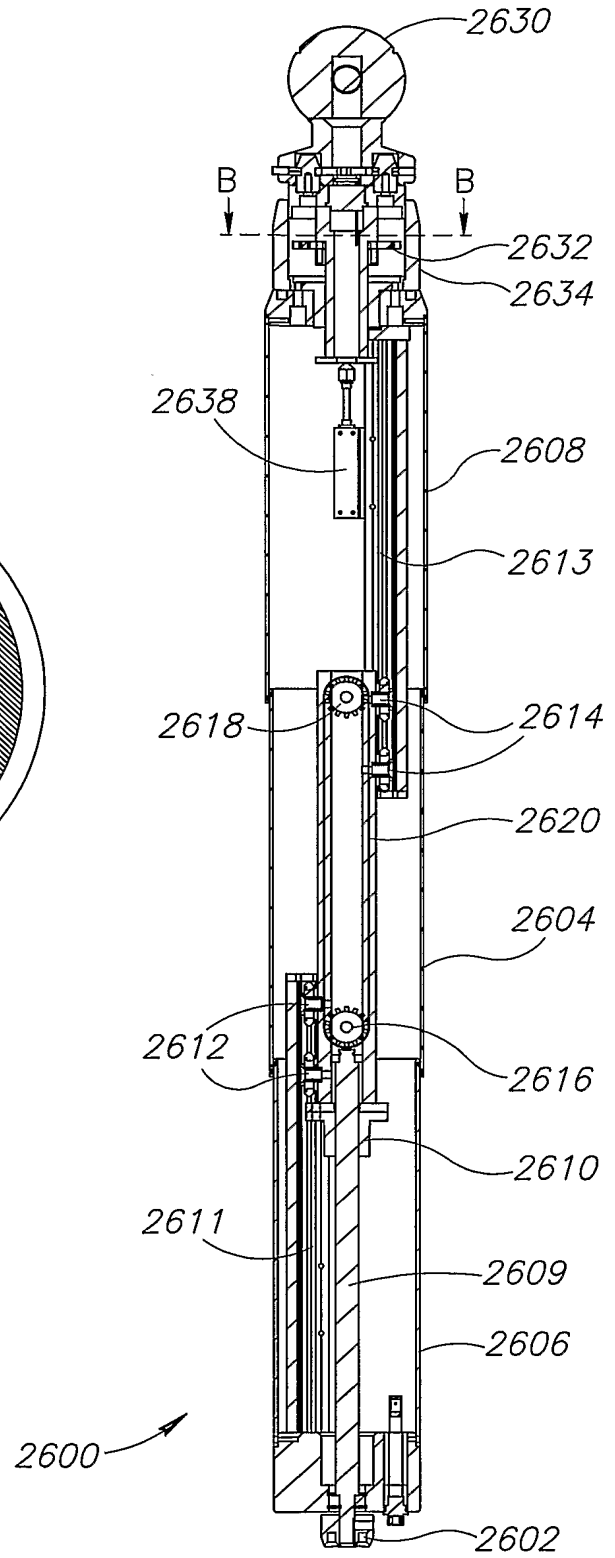


FIG. 26A